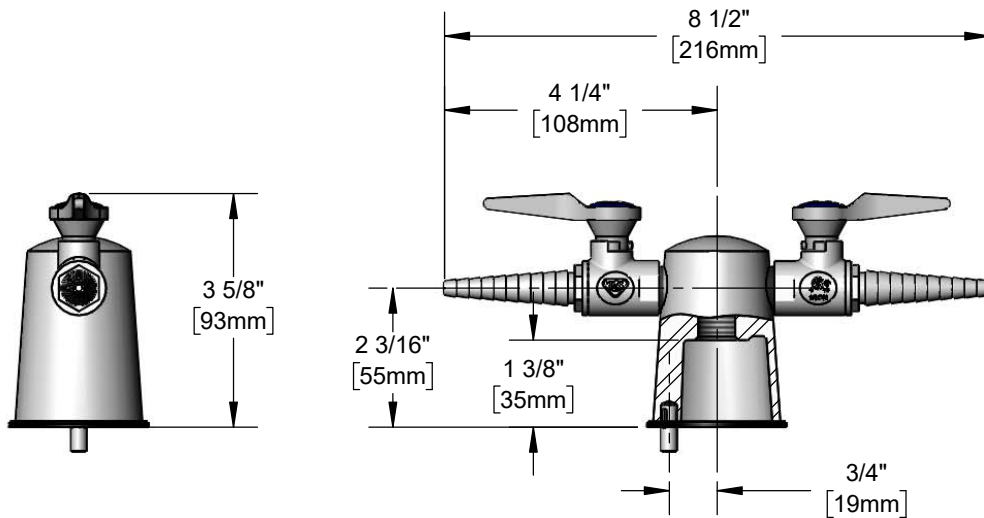
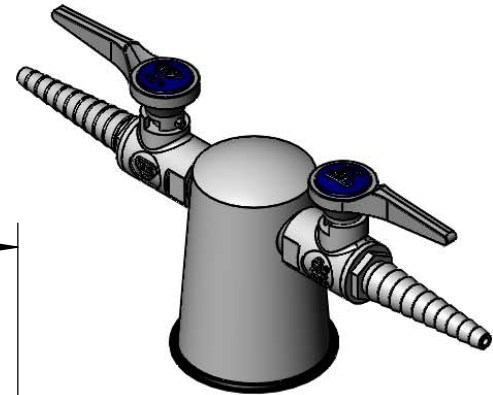




Architect/Engineering Specifications:

Laboratory turret with polished chrome plated brass body, vandal resistant anti-rotation pin, (2) ball valve hose cocks with polished chrome plated brass bodies, handles & serrated tip outlets at 180 degrees, and 3/8" NPT female inlet. Certified to ANSI Z21.15a / CSA 9.1a. Meets ADA ANSI/ICC A117.1 requirements.

Job Name _____
 Model Specified _____ Quantity _____
 Variations Specified _____
 Date _____



Features & Benefits:

- Laboratory turret with polished chrome plated brass body
- Vandal resistant anti-rotation pin
- (2) Ball valve hose cocks w/ polished chrome plated brass bodies & handles
- (2) Serrated tip outlets at 180 degrees, fits 1/4" to 3/8" I.D. hoses
- For natural gas above 0.5 psig or Oxygen and specialty gases, use BL-4010-01 gas cock
- Press-in color coded indexes (gas, vacuum & air included)
- 3/8" NPT female inlet in base
- Black plastic base gasket
- Material: Polished chrome plated brass body

Product Compliance:

- ANSI Z21.15a / CSA 9.1a (Gas Valves)
- ANSI A117.1 (ADA)

Warranty: One Year (Limited)

Performance Data:

- Pressure:
 - Gas - 0.5 psig max
 - Air - 125 psig max
 - Vacuum - 30 inches of Mercury max
- Temperature: 32°F - 125°F



ADA Compliant

