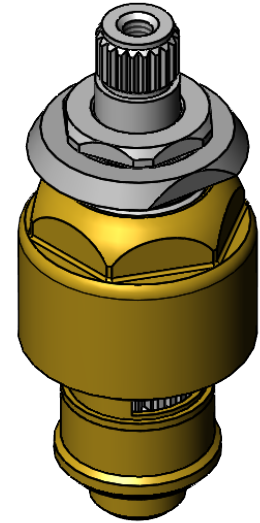
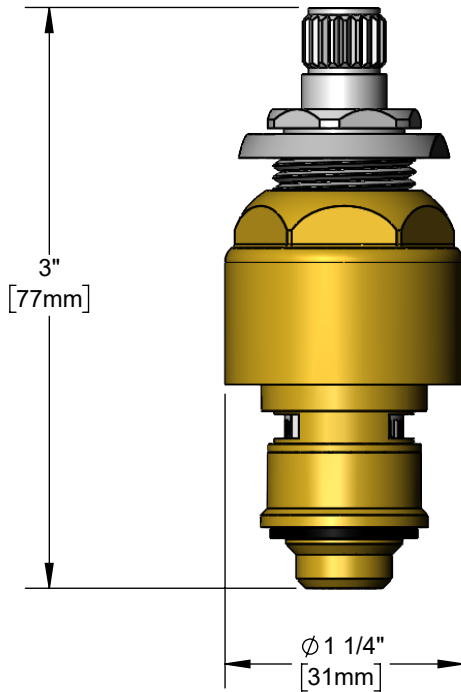




Architect/Engineering Specifications:

EasyInstall concealed widespread Cerama cartridge, RTC with check valve. Certified to ASME A112.18.1 / CSA B125.1, NSF 61-Section 9 and NSF 372.

Job Name \_\_\_\_\_  
 Model Specified \_\_\_\_\_ Quantity \_\_\_\_\_  
 Variations Specified \_\_\_\_\_  
 Date \_\_\_\_\_



Features & Benefits:

- Concealed widespread EasyInstall quarter-turn Cerama, RTC with check valve to prevent cross flow of water
- Concealed widespread bonnet
- Material: Brass body and bonnet

Product Compliance:

- ASME A112.18.1 / CSA B125.1
- NSF 61 - Section 9
- NSF 372 (Low Lead Content)



Warranty: Lifetime (Limited)



Performance Data:

- Pressure: 20 - 125 psi [1.38 - 8.62 bar]
- Temperature: 40 °F - 180 °F [4.44 °C - 82 °C]
- Flow Rate: 6.19 GPM [23.43 L/min] @ 60 psi [4.14 bar]

