



# T&S BRASS AND BRONZE WORKS, INC.

2 Saddleback Cove / P.O. Box 1088  
Travelers Rest, SC 29690

Model No.

**B-0133-14CRQJST**

Item No.

Travelers Rest, SC: 800-476-4103 • Simi Valley, CA: 800-423-0150 • Fax: 864-834-3518 • www.tsbrass.com

This Space for Architect/Engineer Approval

Job Name \_\_\_\_\_ Date \_\_\_\_\_

Model Specified \_\_\_\_\_ Quantity \_\_\_\_\_

Customer/Wholesaler \_\_\_\_\_

Contractor \_\_\_\_\_

Architect/Engineer \_\_\_\_\_



063X  
14" Swing Nozzle w/  
VR 2.2 GPM Aerator  
44" Flexible Stainless  
Steel Hose w/ Spring  
& Spray Valve

Items Not Shown  
For Clarity  
B-TEE-RGD  
Tee for Accessory Fittings  
Direction of Tee is Discretion  
of End-User During Installation

018200-40  
Pre-Rinse Swivel  
Finger Hook

3/8" NPT x 18"  
Riser

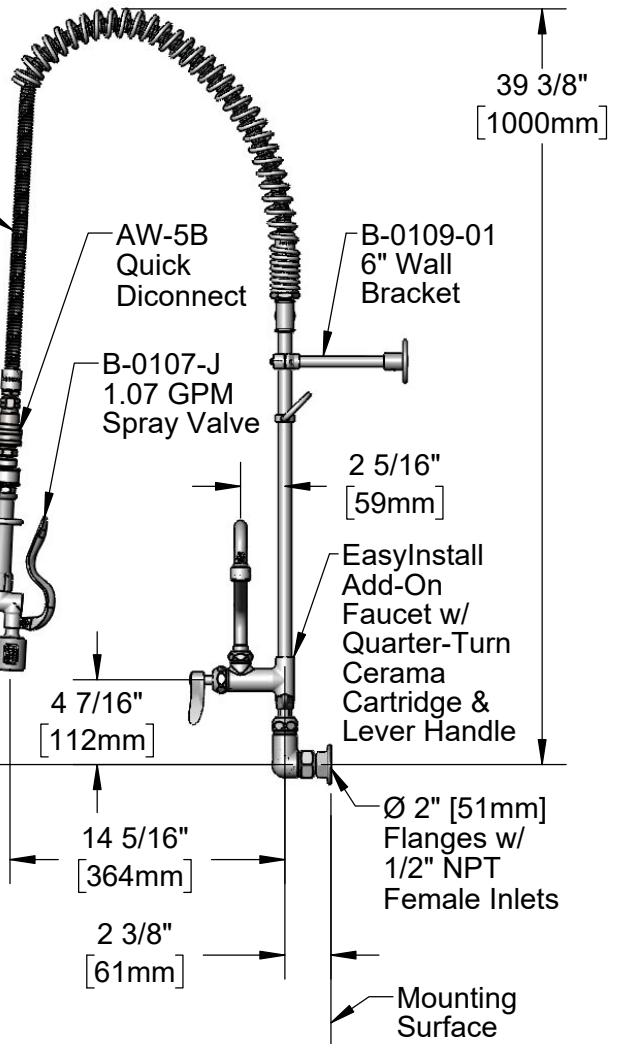
EasyInstall  
Lock Nut  
& Bushing

3 11/16"  
[93mm]

8"  
[203mm]  
Adjustable From  
7 3/4" to 8 1/4"  
[197mm to 210mm]

14"  
[356mm]  
12 3/4"  
[323mm]  
9 9/16"  
[243mm]

Quarter-Turn Cerma  
Cartridges w/ Check  
Valves & Lever Handles  
w/ Color Coded Indexes



AW-5B  
Quick  
Disconnect

B-0109-01  
6" Wall  
Bracket

B-0107-J  
1.07 GPM  
Spray Valve

2 5/16"  
[59mm]  
EasyInstall  
Add-On  
Faucet w/  
Quarter-Turn  
Cerama  
Cartridge &  
Lever Handle

Ø 2" [51mm]  
Flanges w/  
1/2" NPT  
Female Inlets

Mounting  
Surface

**Product Specifications:**

Pre-Rinse Unit: EasyInstall 8" Wall Mount Mixing Faucet, Quarter-Turn Cerma Cartridges w/ Check Valves, Lever Handles, Add-On Faucet, 14" Swing Nozzle w/ VR 2.2 GPM Aerator, 44" Flexible Stainless Steel Hose, Quick Disconnect, 1.07 GPM Spray Valve w/ Swivel, 6" Wall Bracket, Accessory Fitting Tee & 1/2" NPT Female Inlets

**Product Compliance:**

ASME A112.18.1 / CSA B125.1  
NSF 61 - Section 9  
NSF 372 (Low Lead Content)  
2019 DOE PRSV - Class II



# T&S BRASS AND BRONZE WORKS, INC.

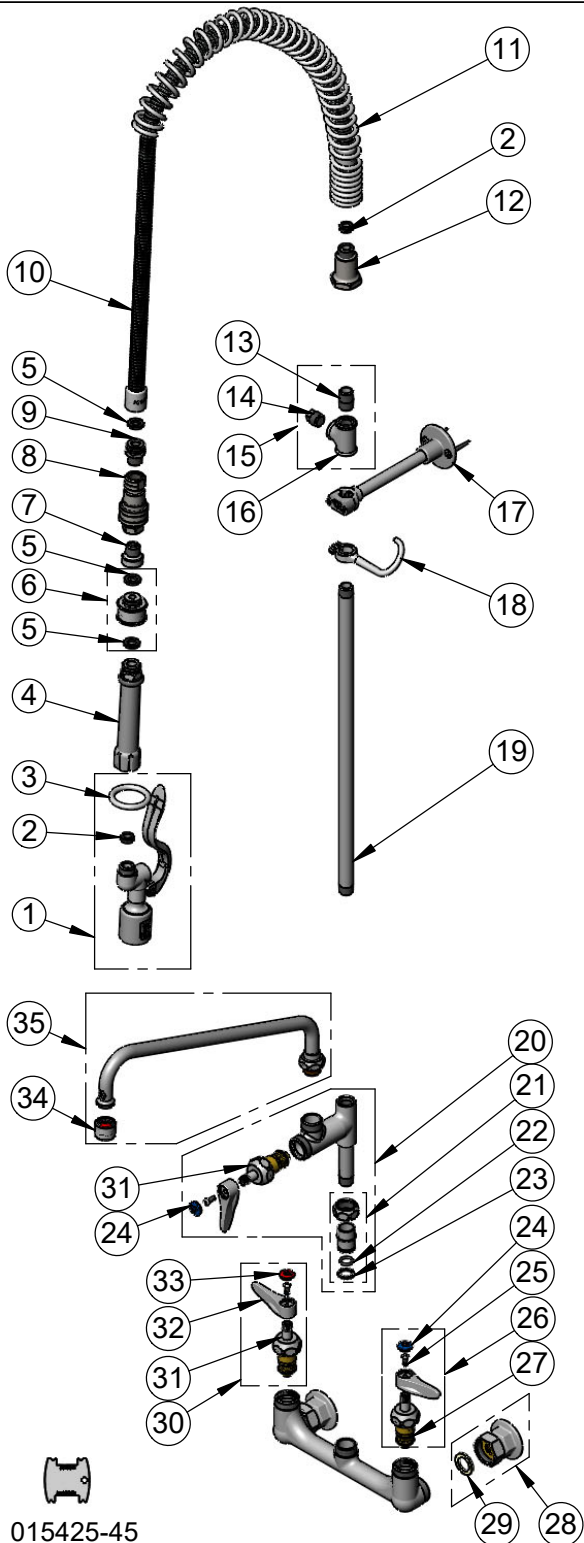
2 Saddleback Cove / P.O. Box 1088  
Travelers Rest, SC 29690

Model No.

**B-0133-14CRQJST**

Item No.

Travelers Rest, SC: 800-476-4103 • Simi Valley, CA: 800-423-0150 • Fax: 864-834-3518 • www.tsbrass.com



ITEM NO.	SALES NO.	DESCRIPTION
1	B-0107-J	1.07 GPM Spray Valve
2	010476-45	#27 Washer
3	000907-45	Spray Valve Hold Down Ring
4	002987-40	Grip Handle
5	001014-45	Washer, B-0100 Hose Barrel
6	018200-40	Pre-Rinse Swivel
7	017959-25	Adapter, 3/8 NPT Male x 7/8-20 Female
8	AW-5B	Quick Disconnect
9	017960-25	Adapter, 3/8 NPT x 7/8-20 Male
10	B-0044-H2A	44" Flexible Stainless Steel Hose, Less Handle
11	000888-45	EasyInstall Overhead Spring
12	000821-40	Spring Body
13	002535-25	3/8" NPT Close Nipple
14	002369-25	3/8" NPT Plug
15	B-TEE-RGD	Rigid Tee
16	001614-40	3/8" NPT Tee
17	B-0109-01	6" Wall Bracket
18	004R	Finger Hook
19	000369-40	3/8" NPT x 18" Riser
20	B-0155-CR-LN	Add-On Faucet, Less Nozzle
21	EZ-K	EasyInstall Kit: Nut, Bushing, O-ring & Lock Washer
22	001065-45	O-ring
23	014200-45	Star Washer, Anti-Rotation
24	018506-19NS	Blue Button Index, Press-in
25	000925-45	Lab Handle Screw
26	012447-25NS	Quarter-Turn Cerama Cartridge, LTC w/ Check Valve, Handle, Index & Screw
27	012395-25NS	Quarter-Turn Cerama Cartridge, LTC w/ Check Valve
28	00AA	1/2" NPT Female Eccentric Flange
29	001019-45	Coupling Nut Washer
30	012446-25NS	Quarter-Turn Cerama Cartridge, RTC w/ Check Valve, Handle, Index & Screw
31	012394-25NS	Quarter-Turn Cerama Cartridge, RTC w/ Check Valve
32	001638-45NS	Lever Handle (New Style)
33	001193-19NS	Red Button Index, Press-in
34	B-0199-06	VR 2.2 GPM Aerator, 55/64-27 UN Female w/ Key
35	063X-V22	14" Swing Nozzle w/ VR 2.2 GPM Aerator

015425-45

Vandal Resistant Key

Product Specifications:

Pre-Rinse Unit: EasyInstall 8" Wall Mount Mixing Faucet, Quarter-Turn Cerama Cartridges w/ Check Valves, Lever Handles, Add-On Faucet, 14" Swing Nozzle w/ VR 2.2 GPM Aerator, 44" Flexible Stainless Steel Hose, Quick Disconnect, 1.07 GPM Spray Valve w/ Swivel, 6" Wall Bracket, Accessory Fitting Tee & 1/2" NPT Female Inlets

Product Compliance:

ASME A112.18.1 / CSA B125.1  
NSF 61 - Section 9  
NSF 372 (Low Lead Content)  
2019 DOE PRSV - Class II