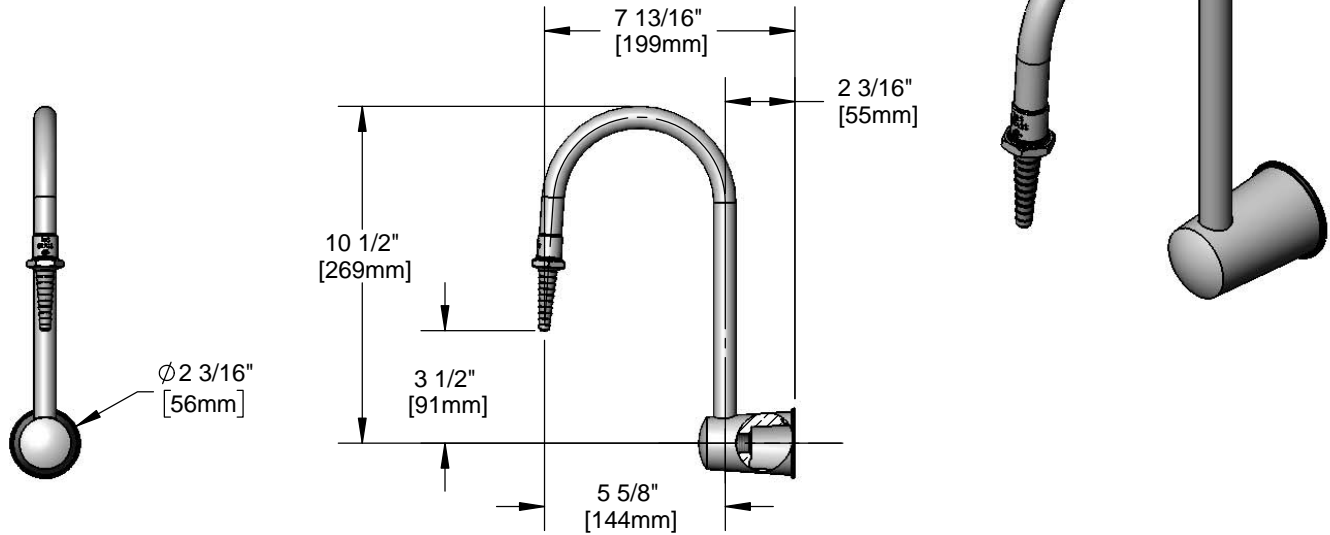




Architect/Engineering Specifications:

Wall mount turret with polished chrome plated brass body, 5 5/8" rigid gooseneck with serrated tip outlet, 3/8" NPT female inlet and plastic mounting gasket. Certified to ASME A112.18.1/CSA B125.1, NSF 61-Section 9 and NSF 372.

Job Name _____
 Model Specified _____ Quantity _____
 Variations Specified _____
 Date _____



Features & Benefits:

- Wall mount turret w/ polished chrome plated brass body
- 5 5/8" rigid gooseneck
- Serrated tip outlet
- For use with remote valves
- Plastic mounting gasket included
- 3/8" NPT female inlet
- Material: Polished chrome plated brass body and tubular spout

Product Compliance:

- ASME A112.18.1 / CSA B125.1
- NSF 61 - Section 9
- NSF 372 (Low Lead Content)



Warranty: One Year (Limited)

Performance Data:

- Pressure: 20 - 125 psi
- Temperature: 40 °F - 140 °F
- Flow Rate: 5.75 GPM @ 60 psi

