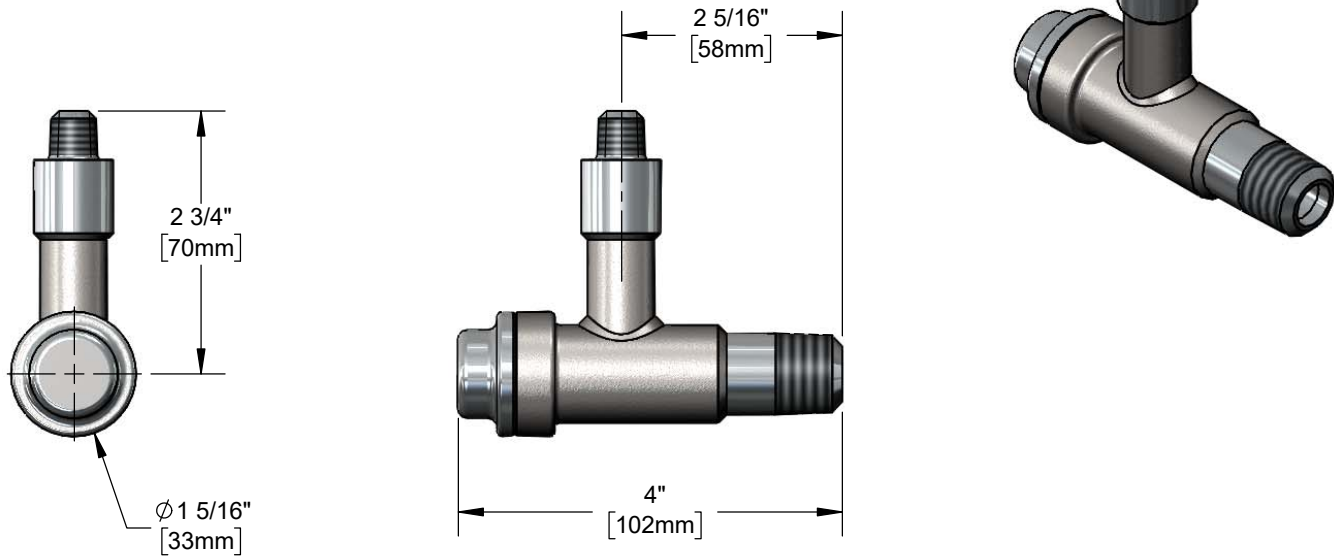




**Architect/Engineering Specifications:**

In-line mesh strainer with fully serviceable 50 x 50 1/2" x 1/4" mesh strainer and 1/2" slip joint nut and washers.

Job Name \_\_\_\_\_  
 Model Specified \_\_\_\_\_ Quantity \_\_\_\_\_  
 Variations Specified \_\_\_\_\_  
 Date \_\_\_\_\_



**Features & Benefits:**

- In-line mesh strainer
- Fully serviceable 50 x 50 1/2" x 1/4" mesh strainer
- 1/2" slip joint nut and washers
- For models EW-7360B
- Material: Brass

**Product Compliance:**

- NSF 61 Exempt (Non-Potable)

**Warranty:** One Year (Limited)

**Performance Data:**

- N/A

