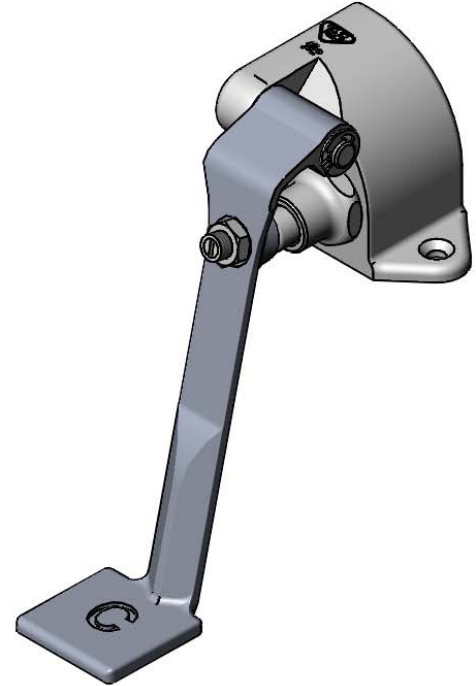
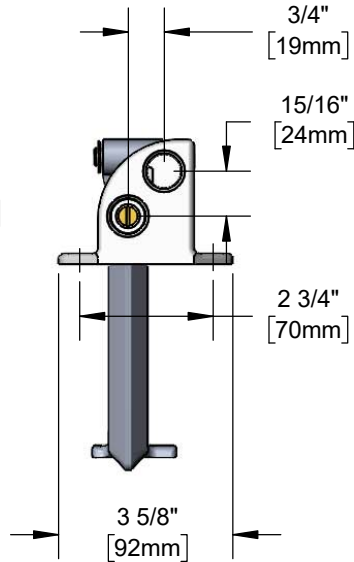
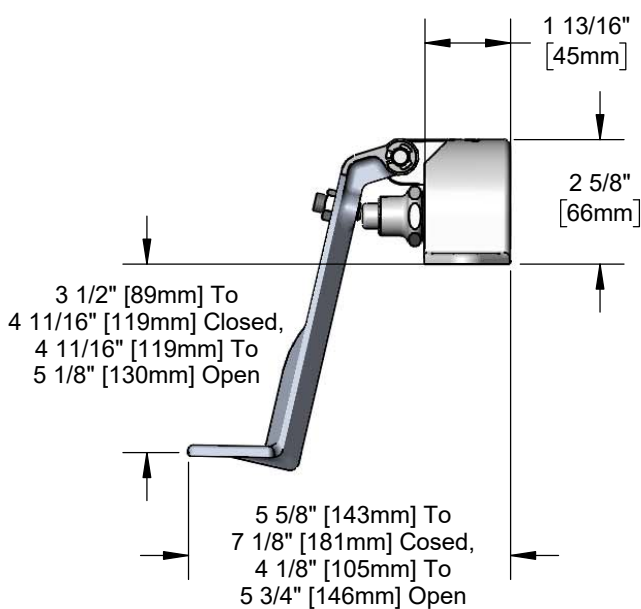




Architect/Engineering Specifications:

Ledge mounted single pedal valve with polished chrome plated solid brass body, aluminum pedal, self-closing valve, 1/2" NPT female inlet and outlet and mounting screws. Certified to ASME A112.18.1/CSA B125.1, NSF 61-Section 9 and NSF 372.

Job Name _____
 Model Specified _____ Quantity _____
 Variations Specified _____
 Date _____



Features & Benefits:

- Ledge mounted single pedal valve w/ polished chrome plated body
- Cold aluminum pedal
- Self-closing valve
- 1/2" NPT female inlet & outlet
- Mounting screws included
- Material: Polished chrome brass body & aluminum pedal

Product Compliance:

- ASME A112.18.1 / CSA B125.1
- NSF 61 - Section 9
- NSF 372 (Low Lead Content)

Warranty: One Year (Limited)

Performance Data:

- Pressure: 20 - 125 psi
- Temperature: 40 °F - 140 °F
- Flow Rate: 4.92 GPM @ 60 psi

Optional Cartridges

- Metering Cartridge

