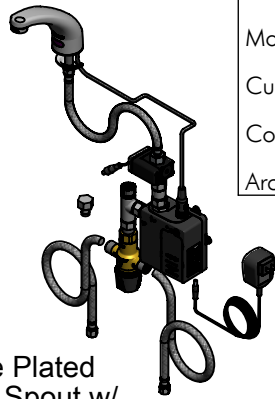
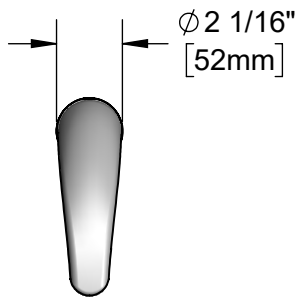


This Space for Architect/Engineer Approval

Job Name _____ Date _____
 Model Specified _____ Quantity _____
 Customer/Wholesaler _____
 Contractor _____
 Architect/Engineer _____

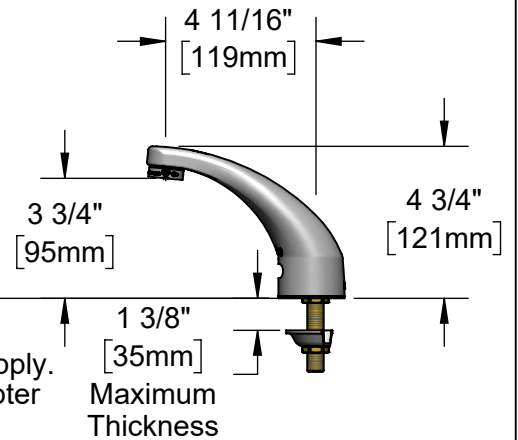


ADA Compliant



Polished Chrome Plated
 Solid Brass Cast Spout w/
 B-0199-09-N05
 VR 0.5 GPM [1.9 LPM]
 Non-Aerated Spray Device
 & Key

24" [610mm]
 Sensor Cable



Mounting
 Surface

Hydro-Generator Power Supply.
 No AA Batteries or AC Adapter
 Needed to Supply Power to
 Faucet. (Connect Plug to Power
 Port)

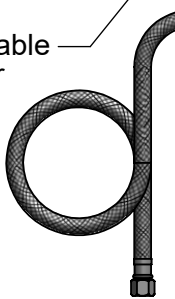
4" x 4 3/8" x 2 3/16"
 [102mm x 111mm x 56mm]
 Control Module Box (Black) w/
 Water Resistant Connections.
 AC or DC Operated w/
 (4) AA Batteries

Optional
 100-240 VAC Adapter
 w/ 72" [1830mm]
 Power Cord. (Remove
 Rubber Plugs on Module
 and Cable to Connect)

(2) 3/8" Compression x 1/2" NPSM
 18" [457mm] Flexible Stainless Steel
 Supply Hoses

1/2" NPSM x
 1/4" NPSM
 18" [457mm]
 Flexible
 Stainless Steel
 Hose

Removable
 Strainer



5EF-TMV
 ASSE 1070 Thermostatic Temperature
 Mixing Valve w/ Check Valves

Rough-In Requirement:
 Ø 1" [25mm] Mounting Hole

Model Number

5EF-1D-DS-V5THG

Product Compliance:

ASME A112.18.1 / CSA B125.1
 NSF 61 - Section 9
 NSF 372 (Low Lead Content)
 ANSI A117.1 (ADA)
 UL 1951
 ASSE 1070 (TMV)

Product Specifications:

Electronic Faucet: Cast Brass Single Hole Deck Mount, VR 0.5 GPM Non-Aerated Spray Device, Hydro-Generator, AC-DC Control Module, Thermostatic Temperature Control Mixing Valve w/ Check Valves & 18" Long Flexible Supply Hoses

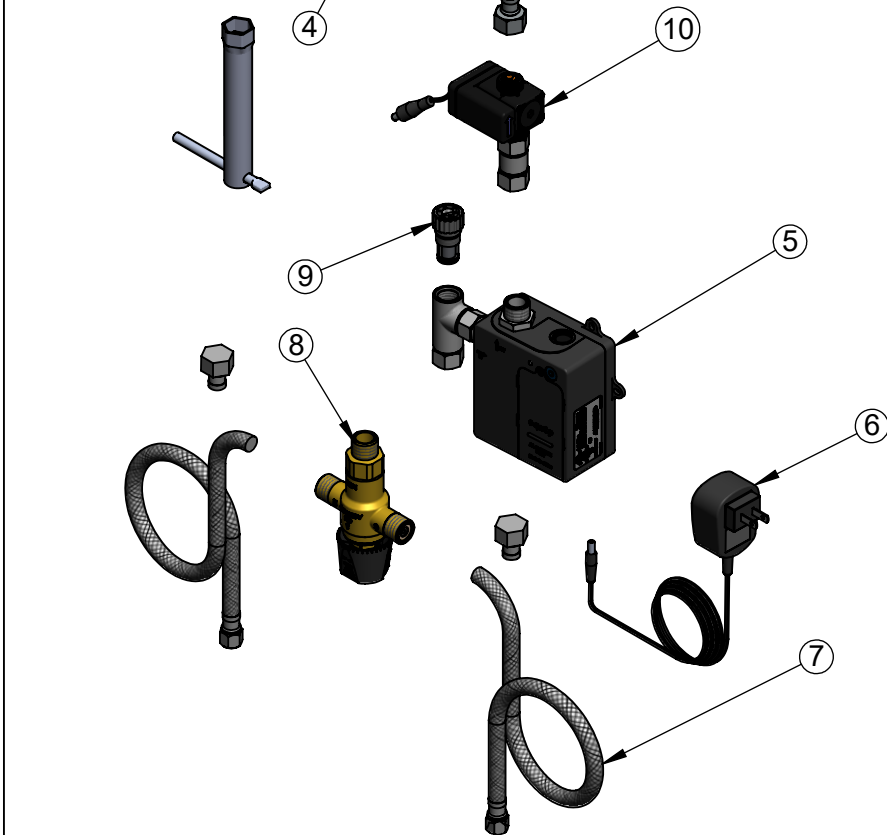
equip
 Foodservice
 Accessories



2 Saddleback Cove, P.O. Box 1088
 Travelers Rest, South Carolina 29690
 Phone: 800.891.4808 Fax: 800.868.0084
 equip.tsbrass.com

ITEM NO.	SALES NO.	DESCRIPTION
1	015425-45	Vandal Resistant Key
2	B-0199-09-N05	VR 0.5 GPM Non-Aerated Spray Device, 15/16-27 UN Male w/ Key
* 3	5EF-0004C	Sensor Cable w/Curved Lens
4	016297-45	Inlet Hose, Faucet, 1/2" NPSM-F x 1/4" NPSM-F
* 5	5EF-0001C	equip Control Module Box (Black)
* 6	5EF-0002C	AC Adapter - US Plug
7	5EF-0005	Supply Hose, 9/16-24 Female x 1/2" NPSM
8	5EF-TMV	ASSE 1070 Thermostatic Mixing Valve
9	EC-FILTER	Replacement Filter
10	EC-HYDROGEN-LF	Low Flow Hydrogenerator

* For Versions Prior to 2024, Consult with Customer Service



Model Number
5EF-1D-DS-V5THG

Product Compliance:
ASME A112.18.1 / CSA B125.1
NSF 61 - Section 9
NSF 372 (Low Lead Content)
ANSI A117.1 (ADA)
UL 1951
ASSE 1070 (TMV)

Product Specifications:
Electronic Faucet: Cast Brass Single Hole Deck Mount, VR 0.5 GPM Non-Aerated Spray Device, Hydro-Generator, AC-DC Control Module, Thermostatic Temperature Control Mixing Valve w/ Check Valves & 18" Long Flexible Supply Hoses

equip
Foodservice
Accessories



2 Saddleback Cove, P.O. Box 1088
Travelers Rest, South Carolina 29690
Phone: 800.891.4808 Fax: 800.868.0084
equip.tsbrass.com