



T&S BRASS AND BRONZE WORKS, INC.
 2 Saddleback Cove / P.O. Box 1088
 Travelers Rest, SC 29690

Model No.
B-0455-04-963VB

Item No.

Travelers Rest, SC: 800-476-4103 • Simi Valley, CA: 800-423-0150 • Fax: 864-834-3518 • www.tsbrass.com

This Space for Architect/Engineer Approval

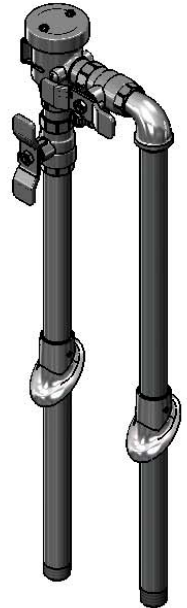
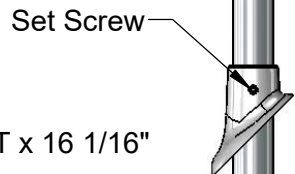
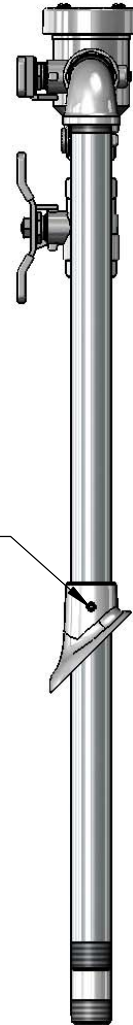
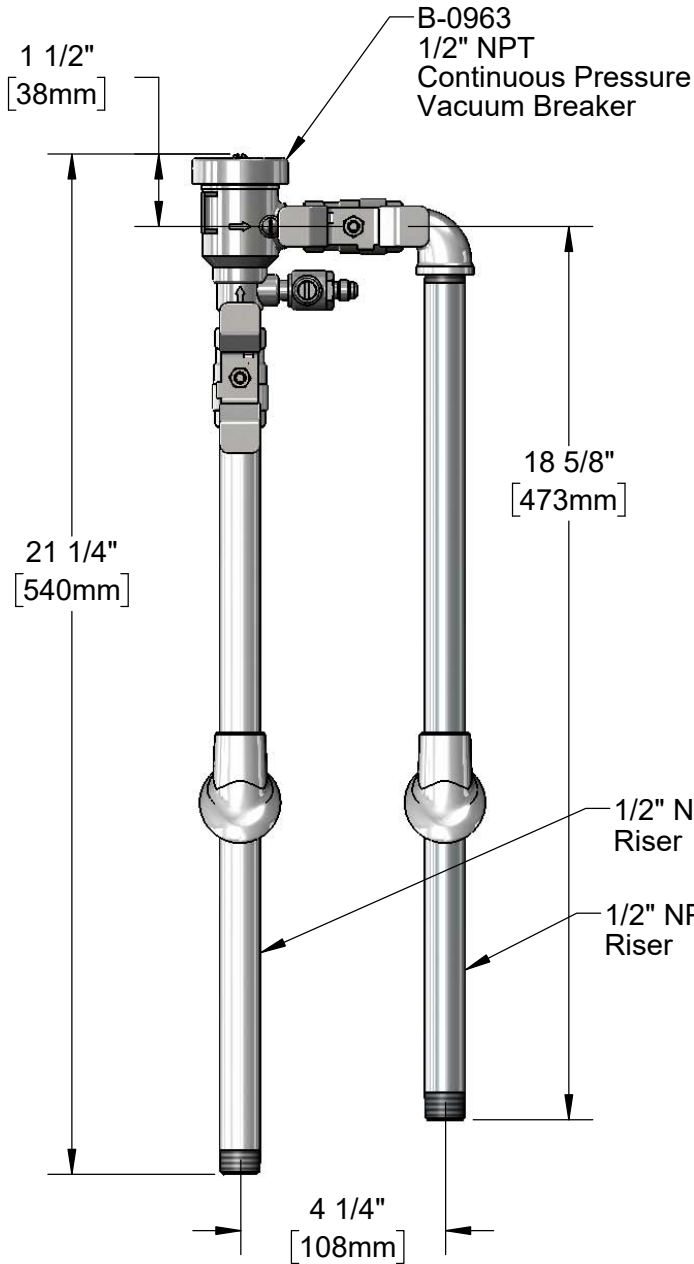
Job Name _____ Date _____

Model Specified _____ Quantity _____

Customer/Wholesaler _____

Contractor _____

Architect/Engineer _____



Rough-In Requirement:
 (2) Ø1 1/4" [32mm]
 Hole in Center of 45°
 Mounting Surface to Slip
 1/2" Pipe Through

Note:
 Pipe Must be Held Rigid Under Sink
 by Connection Fittings, Brace, Etc.

Product Specifications:
 1/2" NPT Vacuum Breaker Unit

Product Compliance:
 ASME A112.18.1 / CSA B125.1
 NSF 61 - Section 9
 NSF 372 (Low Lead Content)
 ASSE 1056 (VB)



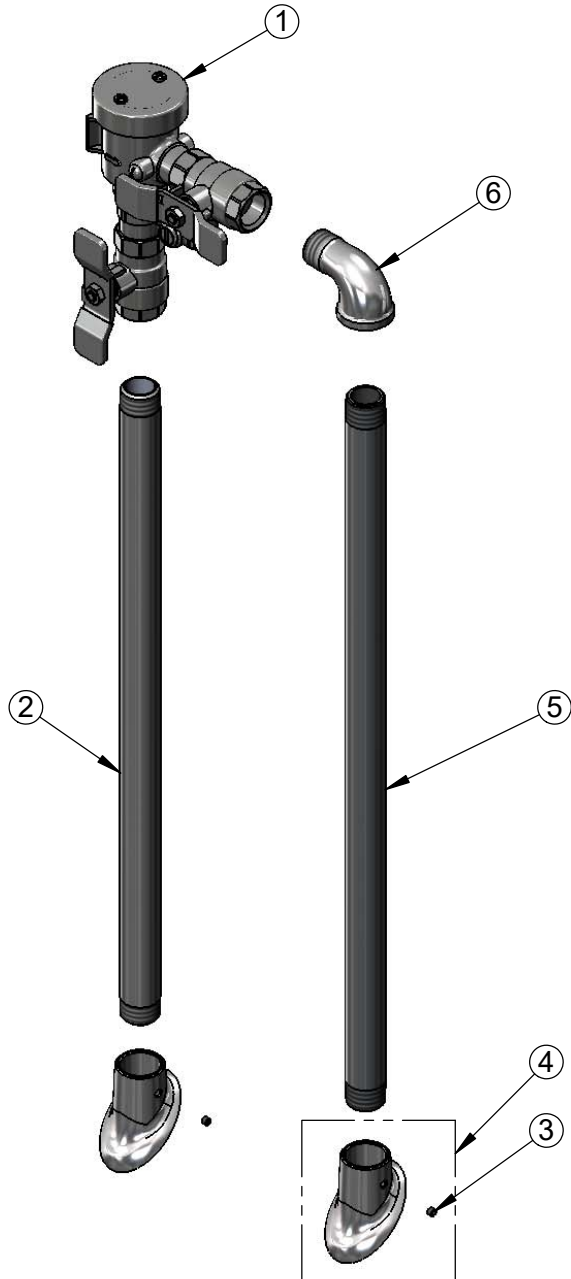
T&S BRASS AND BRONZE WORKS, INC.
 2 Saddleback Cove / P.O. Box 1088
 Travelers Rest, SC 29690

Model No.
B-0455-04-963VB

Item No.

Travelers Rest, SC: 800-476-4103 • Simi Valley, CA: 800-423-0150 • Fax: 864-834-3518 • www.tsbrass.com

ITEM NO.	SALES NO.	DESCRIPTION
1	B-0963	1/2" NPT Continuous Pressure VB w/ Integral Check Valve
2	000433-40	1/2" NPT x 16 1/16" Riser
3	000939-45	Escutcheon, Set Screw
4	B-0461	1/2" NPT Angle Slip Flange
5	013963-40	1/2" NPT x 18" Riser
6	150X	1/2" NPT Street Elbow



Product Specifications:
 1/2" NPT Vacuum Breaker Unit

Product Compliance:
 ASME A112.18.1 / CSA B125.1
 NSF 61 - Section 9
 NSF 372 (Low Lead Content)
 ASSE 1056 (VB)