



# T&S BRASS AND BRONZE WORKS, INC.

2 Saddleback Cove / P.O. Box 1088  
Travelers Rest, SC 29690

Model No.

**B-0519**

Item No.

Travelers Rest, SC: 800-476-4103 • Simi Valley, CA: 800-423-0150 • Fax: 864-834-3518 • www.tsbrass.com

This Space for Architect/Engineer Approval

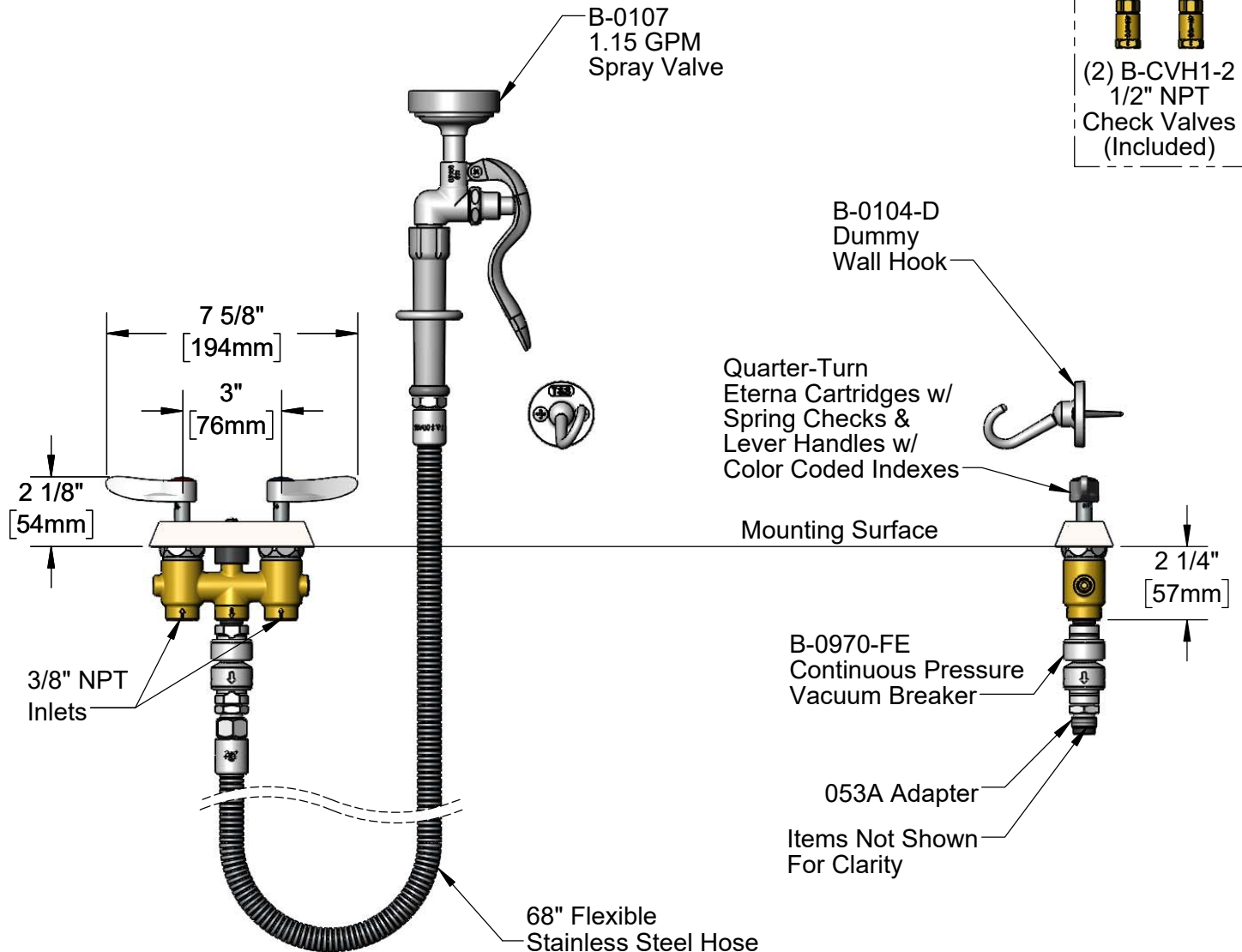
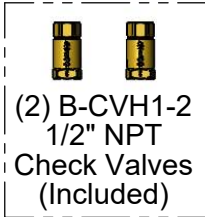
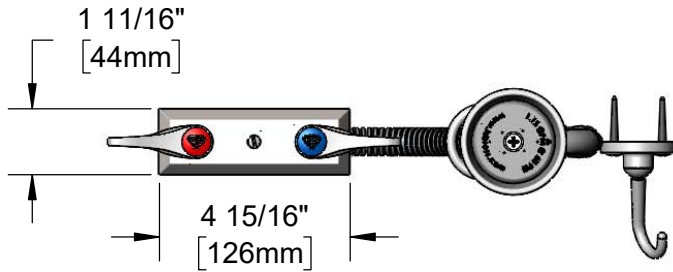
Job Name \_\_\_\_\_ Date \_\_\_\_\_

Model Specified \_\_\_\_\_ Quantity \_\_\_\_\_

Customer/Wholesaler \_\_\_\_\_

Contractor \_\_\_\_\_

Architect/Engineer \_\_\_\_\_



**Rough-In Requirement:**  
(2)  $\varnothing$  1 9/16" [40mm] Mounting Holes  
 $\varnothing$  1/4" [6mm] Center Mounting Screw

**Product Specifications:**

3" Deck Mount Concealed Mixing Faucet, Lever Handles, Quarter-Turn Eterna Cartridges w/ Spring Checks, Wall Hook, 1.15 GPM Spray Valve, 68" Flexible Stainless Steel Hose, 3/8" NPT Vacuum Breaker, 3/8" NPT Female Inlets & 1/2" NPT Check Valves

**Product Compliance:**

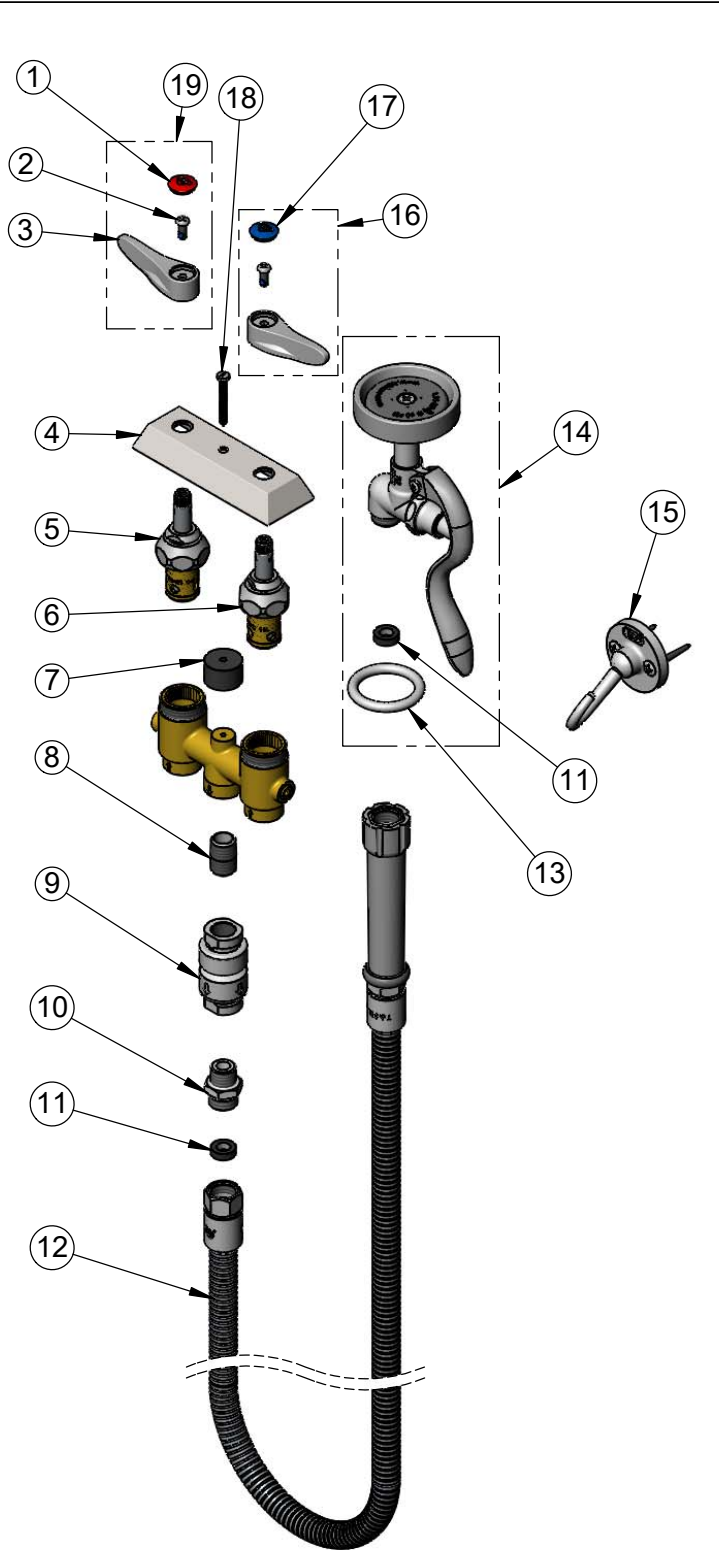
ASME A112.18.1 / CSA B125.1  
NSF 61 - Section 9  
NSF 372 (Low Lead Content)  
2019 DOE PRSV - Class II  
CSA B64.8 (VB)



**T&S BRASS AND BRONZE WORKS, INC.**  
 2 Saddleback Cove / P.O. Box 1088  
 Travelers Rest, SC 29690

Model No.  
**B-0519**  
 Item No.

Travelers Rest, SC: 800-476-4103 • Simi Valley, CA: 800-423-0150 • Fax: 864-834-3518 • www.tsbrass.com



ITEM NO.	SALES NO.	DESCRIPTION
1	001193-19NS	Red Button Index, Press-in
2	000925-45	Lab Handle Screw
3	001638-45NS	Lever Handle (New Style)
4	000020-40	Escutcheon
5	006020-40NS	Quarter-Turn Long Spindle Eterna Cartridge w/ Spring Check, RTC
6	006021-40NS	Quarter-Turn Long Spindle Eterna Cartridge w/ Spring Check, LTC
7	015986-45	Spacer
8	002535-25	3/8" Close Nipple
9	B-0970-FE	3/8" NPT Vacuum Breaker
10	053A	Adapter, 3/8" NPT x 3/4-14UN
11	010476-45	#27 Washer
12	B-0068-H	68" Flexible Stainless Steel Hose
13	000907-45	Spray Valve Hold Down Ring
14	B-0107	1.15 GPM Spray Valve
15	B-0104-D	Dummy Wall Hook
16	001636-45NS	Lever Handle w/ Blue Index & Screw
17	018506-19NS	Blue Button Index, Press-in
18	002819-45	Screw
19	001637-45NS	Lever Handle, Red Index & Screw



**B-CVH1-2**  
 1/2" NPT Check Valve

**Product Specifications:**  
 3" Deck Mount Concealed Mixing Faucet, Lever Handles, Quarter-Turn Eterna Cartridges w/ Spring Checks, Wall Hook, 1.15 GPM Spray Valve, 68" Flexible Stainless Steel Hose, 3/8" NPT Vacuum Breaker, 3/8" NPT Female Inlets & 1/2" NPT Check Valves

**Product Compliance:**  
 ASME A112.18.1 / CSA B125.1  
 NSF 61 - Section 9  
 NSF 372 (Low Lead Content)  
 2019 DOE PRSV - Class II  
 CSA B64.8 (VB)