



Architect/Engineering Specifications:

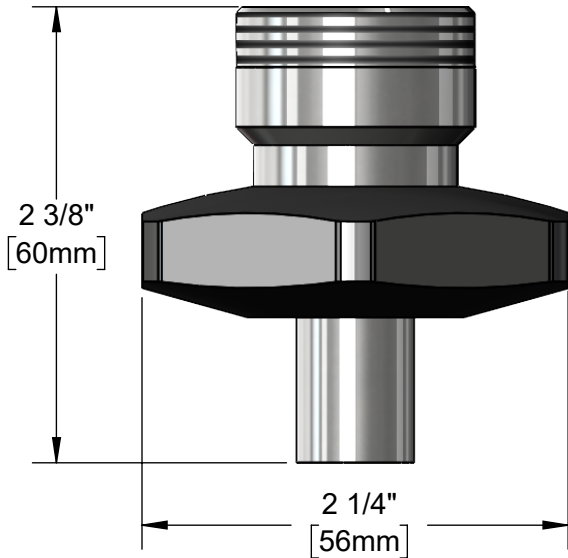
Large flow on-off flow control with heat resistant handle, set screws and 1 1/4-18 UN male inlet. Certified to NSF 61-Section 9 and NSF 372.

Job Name \_\_\_\_\_

Model Specified \_\_\_\_\_ Quantity \_\_\_\_\_

Variations Specified \_\_\_\_\_

Date \_\_\_\_\_



Features & Benefits:

- Big-Flo pot filler outlet assembly
- Heat resistant handle
- Set screws
- 1 1/4-18 UN male inlet
- Material: Chrome plated brass

Product Compliance:

- NSF 61 - Section 9
- NSF 372 (Low Lead Content)



Warranty: One Year (Limited)



Performance Data:

- N/A

