



Swivel Sink and Pantry Faucets

TAG:

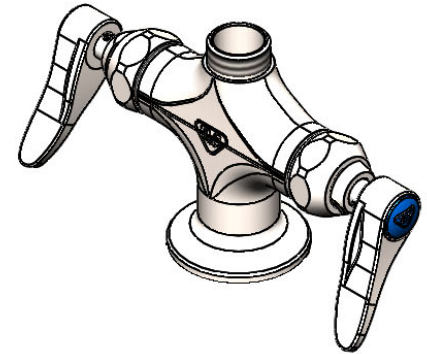
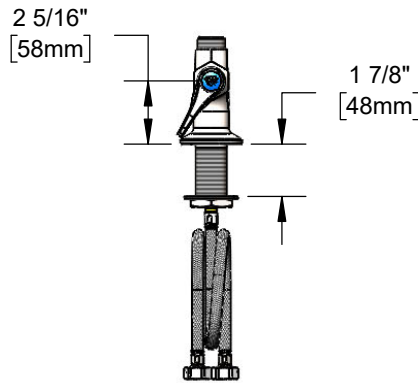
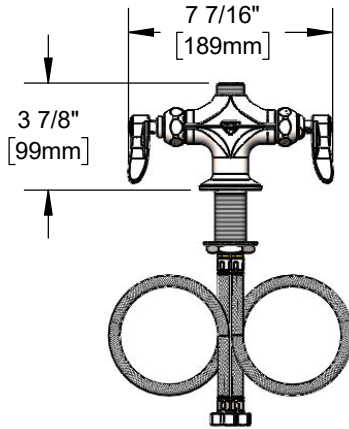
S-0200-LN

EVERSTEEL Double Pantry Faucet

Architect/Engineering Specifications:

Stainless steel single hole deck mount mixing faucet with swivel outlet (less nozzle), stainless steel compression cartridges with spring checks, stainless steel lever handles and 18" flexible stainless steel supply hoses with G1/2" connections. ASME A112.18.1 / CSA B125.1, NSF 61-Section 9 and NSF 372. Meets ADA ANSI/ICC A117.1 requirements.

Job Name _____
 Model Specified _____ Quantity _____
 Variations Specified _____
 Date _____



Features & Benefits:

- All stainless steel construction with brushed finish
- Stainless steel single hole deck mount mixing faucet
- Swivel outlet accepts stainless steel T&S swing nozzles
- Lock washer provided for rigid application
- Stainless steel quarter-turn Eterna compression cartridges w/ spring checks to prevent the cross flow of water
- Stainless steel lever handles w/ color coded indexes
- 18" flexible stainless steel supply hoses w/ G1/2" female connections (compatible w/ 1/2" NPSM threads)
- Material: Stainless steel body, handles, cartridges and hoses

Product Compliance:

- ASME A112.18.1 / CSA B125.1
- NSF 61 - Section 9
- NSF 372 (Low Lead Content)
- ANSI A117.1 (ADA)



Warranty: Lifetime (Limited)

Performance Data:

- Pressure: 20 - 125 psi [1.38 - 8.62 bar]
 - Temperature: 40°F - 140°F [4.44°C - 60°C]
 - Flow Rate: 8.82 GPM [33.39 L/min] @ 60 psi [4.14 bar]
- (Outlet Device &/or Final Configuration May Reduce Flow Rate)



ADA Compliant

Stainless Steel T&S Swing Nozzles

- S059X 6" Swing Nozzle
- S060X 8" Swing Nozzle
- S062X 12" Swing Nozzle

Stainless Steel T&S Swivel Goosenecks (D x K)

- S133X 5 11/16" x 6 1/4" Swivel Gooseneck



T&S BRASS AND BRONZE WORKS, INC.



• 2 Saddleback Cove • Travelers Rest, SC 29690
 Ph 800-476-4103 • Fax 864-834-3518
 • Simi Valley, CA • Ph 800-423-0150 • www.tsbrass.com

Date: 03/29/23