



ADA Compliant

This Space for Architect/Engineer Approval

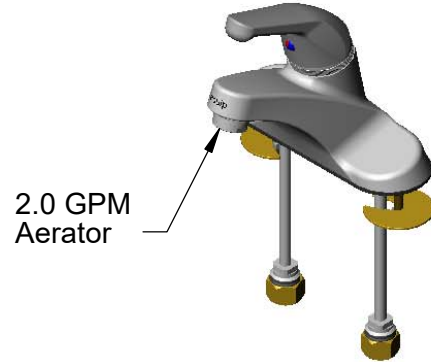
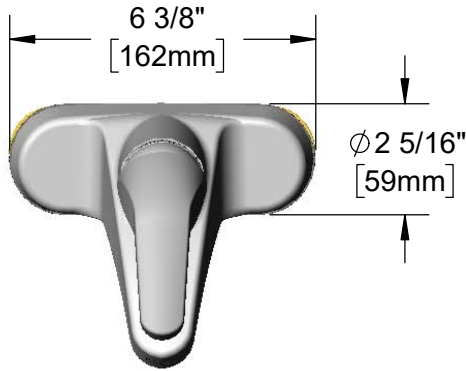
Job Name _____ Date _____

Model Specified _____ Quantity _____

Customer/Wholesaler _____

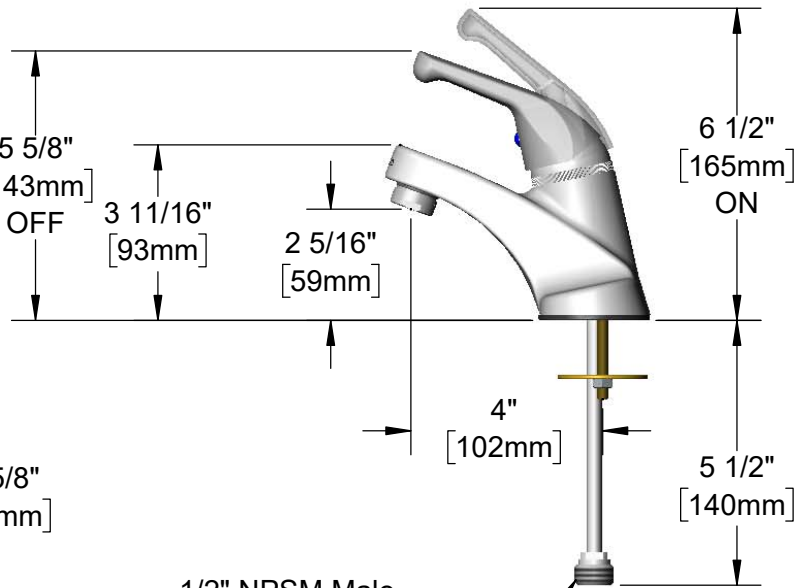
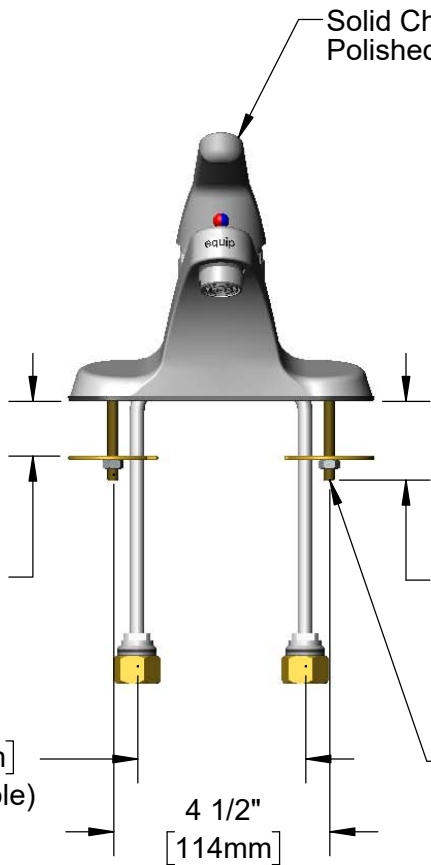
Contractor _____

Architect/Engineer _____



2.0 GPM Aerator

Solid Chrome Polished Handle



1/2" NPSM Male Threads w/ 3/8" OD Flexible Copper Tubing

Rough-In Requirement:
(2) ϕ 1 1/8" [29mm] Mounting Holes

Model Number
5SL-1000

Product Specifications:
equip Single Lever Faucet, Solid Handle, 2.0 GPM Aerator & 1/2" NPSM Inlets w/ 3/8" OD Flexible Copper Tubing

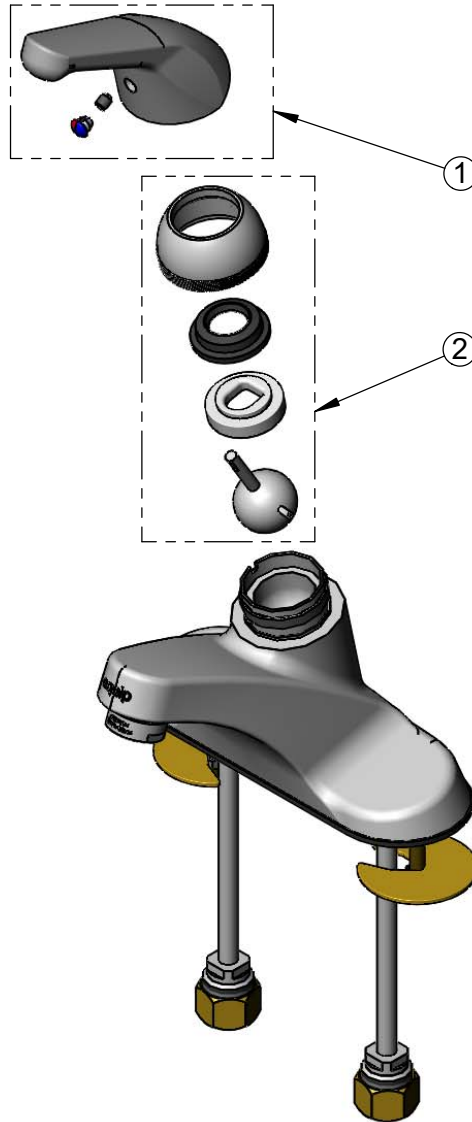
Product Compliance:
ASME A112.18.1 / CSA B125.1
NSF 61 - Section 9
NSF 372 (Low Lead Content)
ANSI A117.1 (ADA)

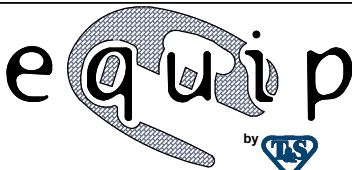
equip Foodservice Accessories



2 Saddleback Cove, P.O. Box 1088
Travelers Rest, South Carolina 29690
Phone: 800.891.4808 Fax: 800.868.0084
equip.tsbrass.com

ITEM NO.	SALES NO.	DESCRIPTION
1	5SL-1000-H	equip Solid Lever Handle w/ Set Screw and Temperature Index
2	015232-45	equip Cartridge for 5SL Single Lever Faucet



<p>Model Number</p> <p style="text-align: center;">5SL-1000</p>	<p>Product Specifications:</p> <p style="text-align: center;">equip Single Lever Faucet, Solid Handle, 2.0 GPM Aerator & 1/2" NPSM Inlets w/ 3/8" OD Flexible Copper Tubing</p>				
<p>Product Compliance:</p> <p>ASME A112.18.1 / CSA B125.1 NSF 61 - Section 9 NSF 372 (Low Lead Content) ANSI A117.1 (ADA)</p>	<div style="display: flex; justify-content: space-between; align-items: center;"> <div data-bbox="600 1900 738 1984"> <p>equip Foodservice Accessories</p> </div> <div data-bbox="747 1858 1096 2026" style="text-align: center;">  </div> <div data-bbox="1104 1890 1559 2005"> <p>2 Saddleback Cove, P.O. Box 1088 Travelers Rest, South Carolina 29690 Phone: 800.891.4808 Fax: 800.868.0084 equip.tsbrass.com</p> </div> </div>				
<p>Drawn: LSA</p>	<p>Checked: KJG</p>	<p>Approved: 06/30/21</p>	<p>Date: JHB</p>	<p>Scale: NTS</p>	<p>Sheet: 2 of 2</p>