



Remote Control Straight Valve Unit

Architect/Engineering Specifications:

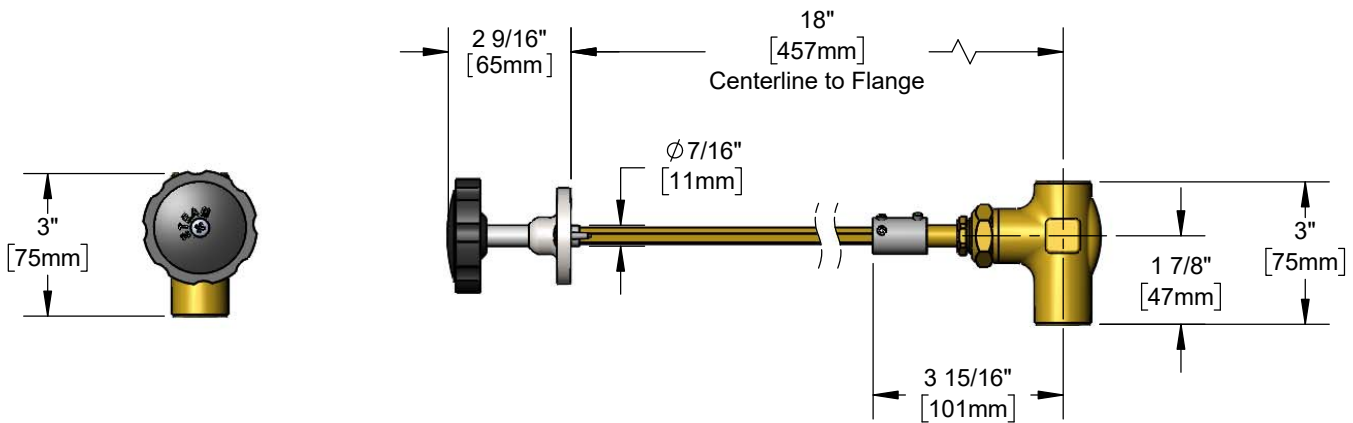
Remote control straight valve with brass body, removable seat, 18" centerline to flange, black heat-resistant handle and 3/8" NPT female inlet and outlet.

Job Name _____

Model Specified _____ Quantity _____

Variations Specified _____

Date _____



Features & Benefits:

- Remote control straight valve with brass body for steam
- 18" centerline to flange
- Stainless steel floating cone and removable seat
- Black heat-resistant handle
- ϕ 2" panel flange with mounting screws
- 3/8" NPT female inlet and outlet
- Material: Brass body and plastic handle

Product Compliance:

- N/A

Warranty: One Year (Limited)

Performance Data:

- N/A

