



Quick Connect Spray Valves

B-1420

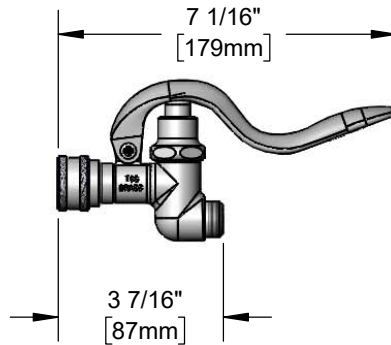
TAG:

Squeeze Valve With Quick Disconnect Socket

Architect/Engineering Specifications:

Automatic shut-off valve with polished chrome plated brass body, quick disconnect socket and 3/4-14 UN male inlet. Certified to ASME A112.18.1/CSA B125.1, NSF 61-Section 9 and NSF 372.

Job Name _____
 Model Specified _____ Quantity _____
 Variations Specified _____
 Date _____



Features & Benefits:

- Automatic shut-off valve
- Spray valve w/ quick disconnect socket, accepts T&S spray valve heads with quick disconnect plugs
- 3/4-14 UN male inlet
- Material: Polished chrome plated brass body and chrome plated brass quick disconnect

Product Compliance:

- ASME A112.18.1 / CSA B125.1
- NSF 61 - Section 9
- NSF 372 (Low Lead Content)
-



Warranty: One Year (Limited)

Performance Data:

- Pressure: 20 - 125 psi [1.38 - 8.62 bar]
- Temperature: 40 °F - 140 °F [4.44 °C - 60 °C]
- Flow Rate: 5.19 GPM [19.64 L/min] @ 60 psi [4.14 bar]

Final Configuration (Hose and/or Handle) Will Reduce Flow Rate



T&S BRASS AND BRONZE WORKS, INC.



• 2 Saddleback Cove • Travelers Rest, SC 29690
 Ph 800-476-4103 • Fax 864-834-3518
 • Simi Valley, CA • Ph 800-423-0150 • www.tsbrass.com

Date: 11/21/19