



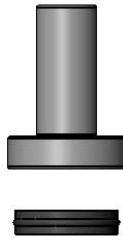
Architect/Engineering Specifications:

Replacement kit for spring check spindles. Certified to NSF 61–Section 9 and NSF 372.

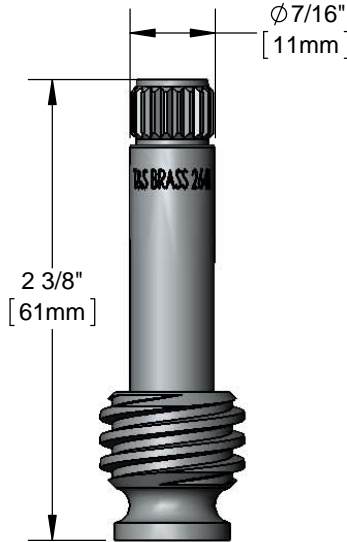
Job Name _____
 Model Specified _____ Quantity _____
 Variations Specified _____
 Date _____



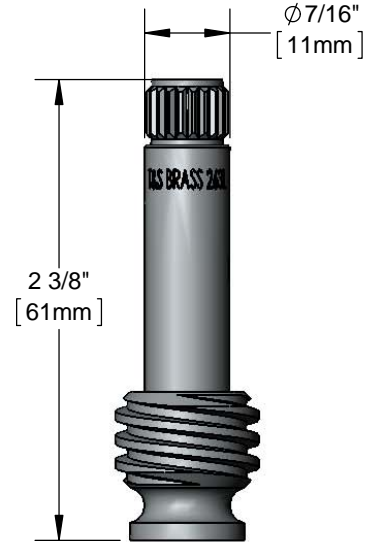
001479-45
Spring
(2 Qty)



003164-45
Seat Washer
Spring Check
(2 Qty)



001907-25
Removable Eterna Spindle
Insert w/ Check, RTC
(1 Qty)



001908-25
Removable Eterna Spindle
Insert w/ Check, LTC
(1 Qty)

Features & Benefits:

- Replacement kit for Eterna spring check spindles
- Includes LH and RH spindles, seat washers and springs
- Material: Chrome plated brass spindles, plastic spring check body and rubber seat disc

Product Compliance:

- NSF 61 - Section 9
- NSF 372 (Low Lead Content)



Warranty: One Year (Limited)



Performance Data:

- N/A

