



Remote Control Angled Valve Unit

Architect/Engineering Specifications:

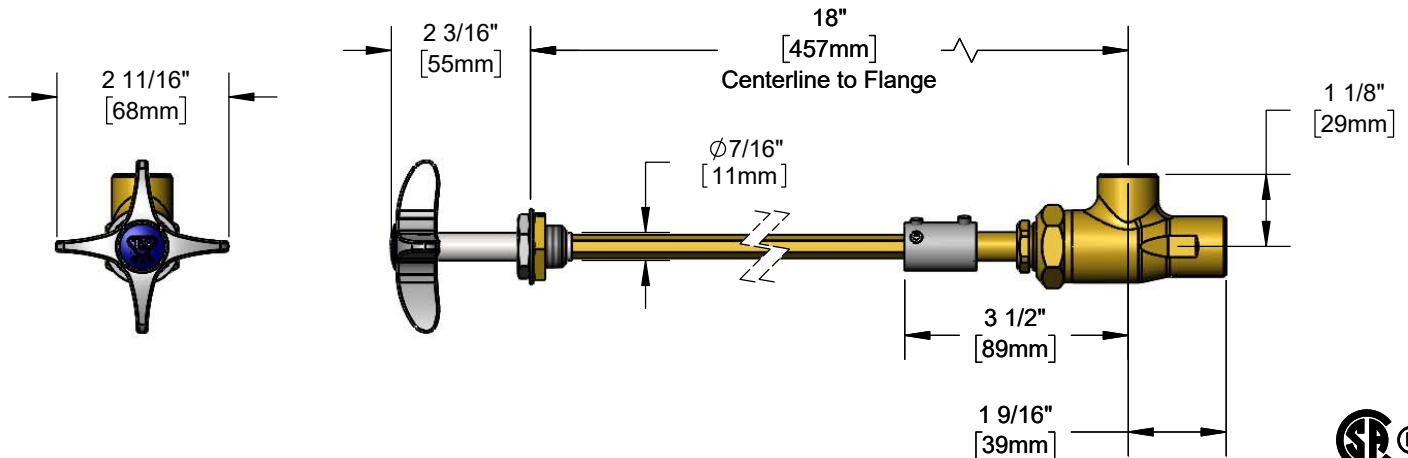
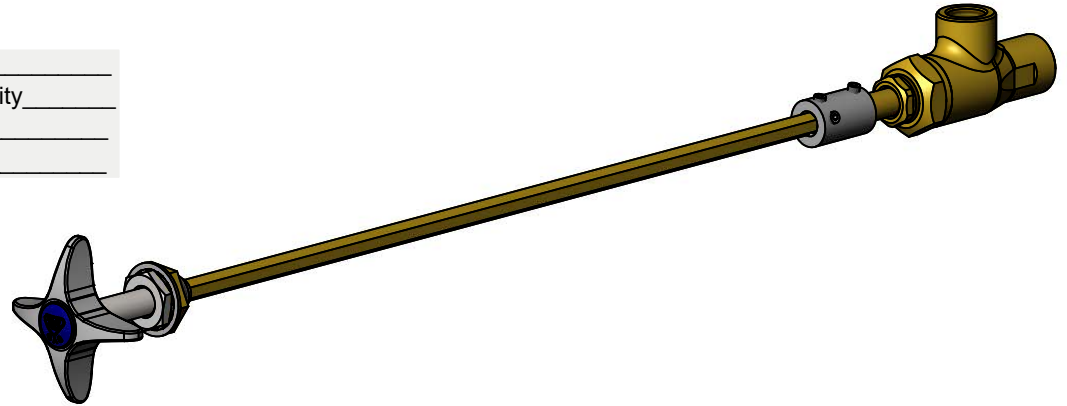
Remote control straight valve with brass body, 19 1/16" centerline to flange, 4-arm handle, press-in color coded indexes, guide flange, universal joint and 3/8" NPT male inlet and outlet. Certified to ANSI Z21.15a / CSA 9.1a.

Job Name _____

Model Specified _____ Quantity _____

Variations Specified _____

Date _____



Features & Benefits:

- Remote control straight valve with brass body
- 18" centerline to bushing
- Stainless steel floating cone and removable seat
- 4-arm handle w/ press-in color coded indexes (gas, air and vacuum included)
- $\phi 2$ " guide flange for metal cabinet
- Universal joint
- 3/8" NPT male inlet and outlet
- Material: Brass body and polished chrome plated metal handle

Product Compliance:

- ANSI Z21.15a / CSA 9.1a (Gas Valves)

Warranty: One Year (Limited)

Performance Data:

- Pressure:
 - Gas - 0.5 psi max
 - Air - 125 psi max
 - Vacuum - 30 inches of Mercury max
- Temperature: 32 °F - 125 °F

