



Architect/Engineering Specifications:

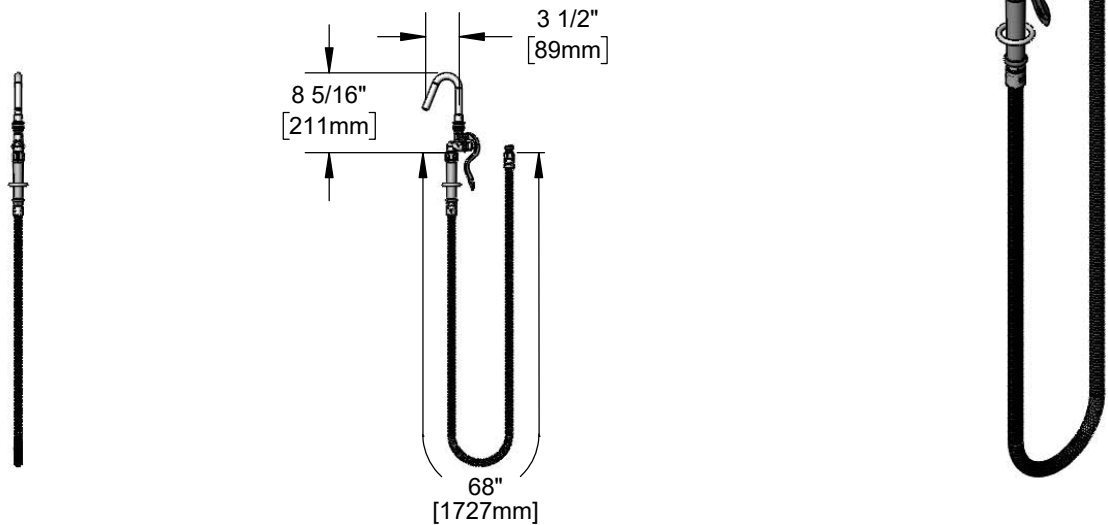
Automatic shut-off valve with polished chrome plated brass body, quick disconnect hook nozzle, 68" flexible stainless steel hose with heat resistant handle and 1/2" NPT male inlet. Certified to ASME A112.18.1/CSA B125.1, NSF 61-Section 9 and NSF 372.

Job Name _____

Model Specified _____ Quantity _____

Variations Specified _____

Date _____



Features & Benefits:

- Automatic shut-off valve
- Hook nozzle w/ quick disconnect plug
- Spray valve w/ quick disconnect socket
- 68" flexible stainless steel hose w/ heat resistant gray handle and hold down ring
- 1/2" NPT male inlet fitting
- Material: Polished chrome plated brass body & tubular nozzle and stainless steel hose

Product Compliance:

- ASME A112.18.1 / CSA B125.1
- NSF 61 - Section 9
- NSF 372 (Low Lead Content)
- 2019 DOE PRSV Non-Compliant



Warranty: One Year (Limited)

Performance Data:

- Pressure: 20 - 125 psi [1.38 - 8.62 bar]
- Temperature: 40 °F - 140 °F [4.44 °C - 60 °C]
- Flow Rate: 5.21 GPM [19.72 L/min] @ 60 psi [4.14 bar]

