



T&S BRASS AND BRONZE WORKS, INC.
 2 Saddleback Cove / P.O. Box 1088
 Travelers Rest, SC 29690

Model No.
EB-0107-J-HM12

Item No.

Travelers Rest, SC: 800-476-4103 • Simi Valley, CA: 800-423-0150 • Fax: 864-834-3518 • www.tsbrass.com

This Space for Architect/Engineer Approval

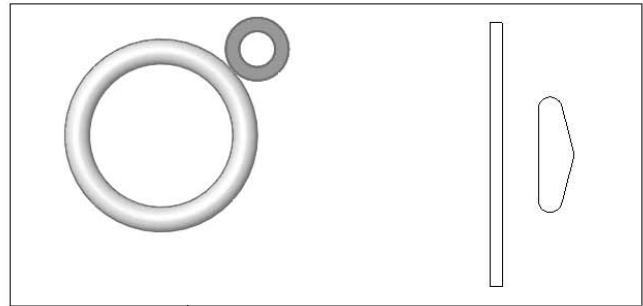
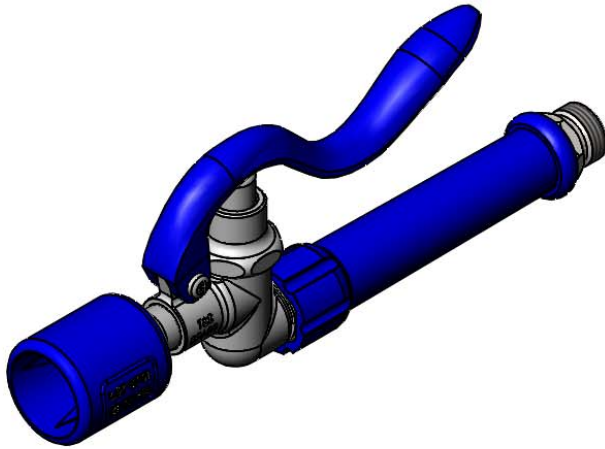
Job Name _____ Date _____

Model Specified _____ Quantity _____

Customer/Wholesaler _____

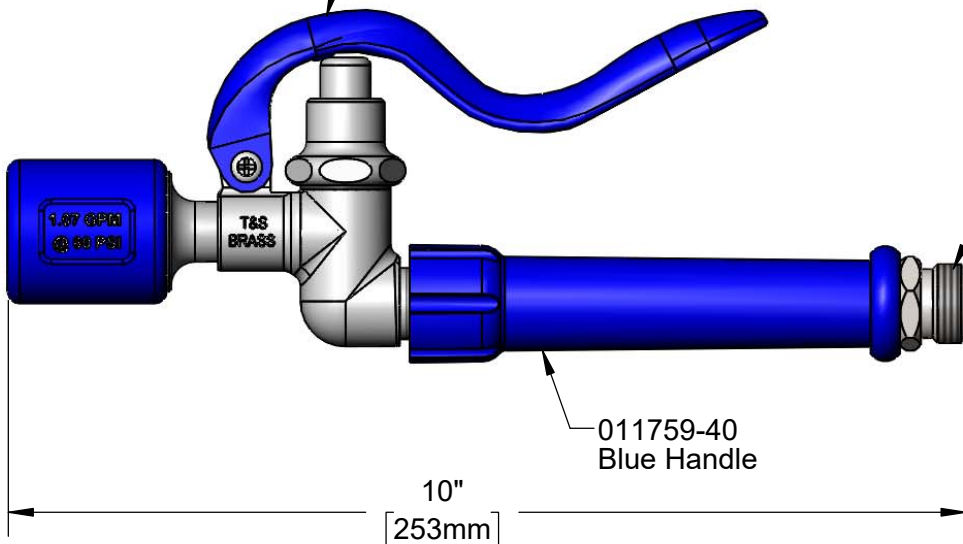
Contractor _____

Architect/Engineer _____



Hose Washer &
 Hold Down Ring
 (Included)

EB-0107-J
 1.07 GPM
 Spray Valve



1/2" NPSM
 Male Inlet
 (Compatible
 with G 1/2"
 Threads)

011759-40
 Blue Handle

10"
 [253mm]

Product Specifications:

Pre-Rinse Unit Accessory:
 Blue 1.07 GPM Spray Valve & Blue Handle w/ 1/2" NPSM Male Inlet
 (Compatible with G 1/2" Threads)

Product Compliance:

ASME A112.18.1 / CSA B125.1
 NSF 61 - Section 9
 NSF 372 (Low Lead Content)
 2019 DOE PRSV - Class II



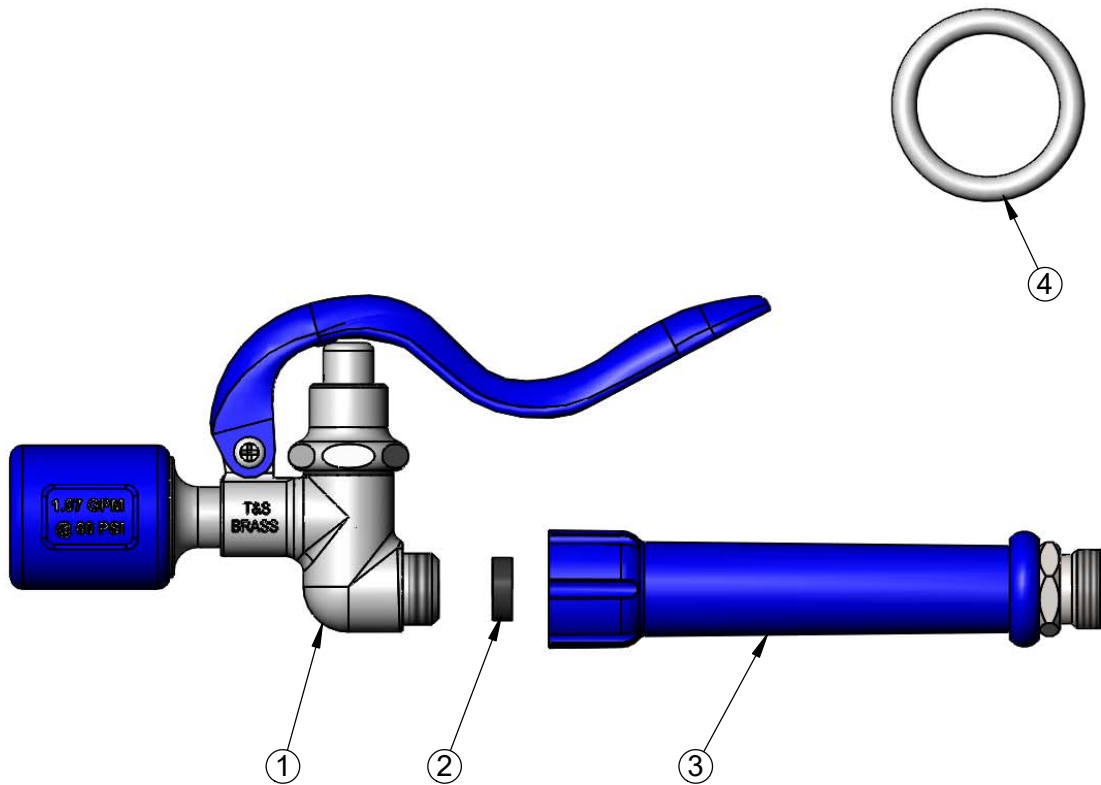
T&S BRASS AND BRONZE WORKS, INC.
 2 Saddleback Cove / P.O. Box 1088
 Travelers Rest, SC 29690

Model No.
EB-0107-J-HM12

Item No.

Travelers Rest, SC: 800-476-4103 • Simi Valley, CA: 800-423-0150 • Fax: 864-834-3518 • www.tsbrass.com

ITEM NO.	SALES NO.	DESCRIPTION
1	EB-0107-J	1.07 GPM Spray Valve (Blue)
2	010476-45	#27 Washer
3	011759-40	Euro Grip Handle (Blue)
4	000907-45	Spray Valve Hold Down Ring



Product Specifications:
 Pre-Rinse Unit Accessory:
 Blue 1.07 GPM Spray Valve & Blue Handle w/ 1/2" NPSM Male Inlet
 (Compatible with G 1/2" Threads)

Product Compliance:
 ASME A112.18.1 / CSA B125.1
 NSF 61 - Section 9
 NSF 372 (Low Lead Content)
 2019 DOE PRSV - Class II