



**T&S BRASS AND BRONZE WORKS, INC.**  
 2 Saddleback Cove / P.O. Box 1088  
 Travelers Rest, SC 29690

Model No.  
**B-0456-04**

Item No.

Travelers Rest, SC: 800-476-4103 • Simi Valley, CA: 800-423-0150 • Fax: 864-834-3518 • www.tsbrass.com

This Space for Architect/Engineer Approval

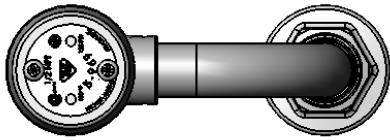
Job Name \_\_\_\_\_ Date \_\_\_\_\_

Model Specified \_\_\_\_\_ Quantity \_\_\_\_\_

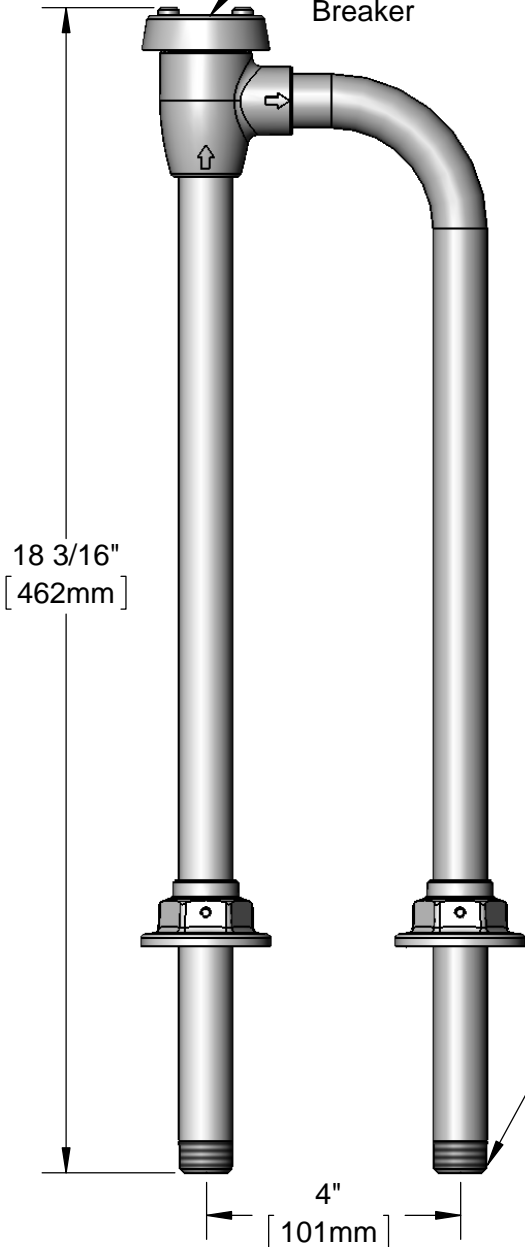
Customer/Wholesaler \_\_\_\_\_

Contractor \_\_\_\_\_

Architect/Engineer \_\_\_\_\_



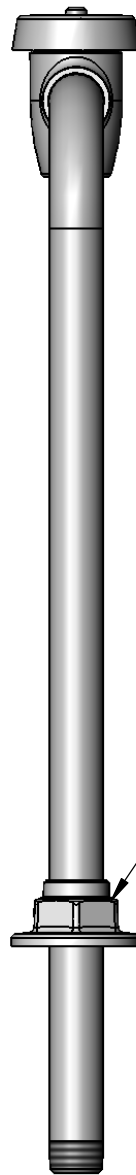
B-0969  
 1/2" NPT  
 Vacuum  
 Breaker



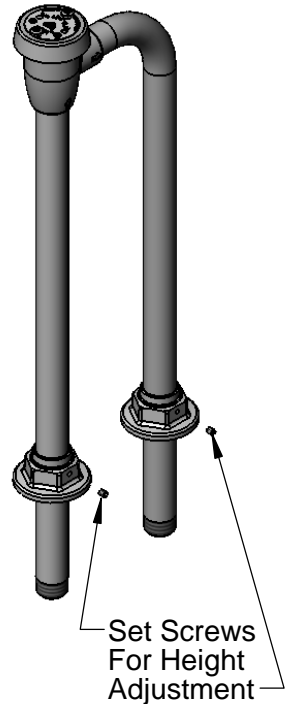
18 3/16"  
 [462mm]

4"  
 [101mm]

1/2" NPT  
 Male Thread  
 TYP.



Ø 2" [51mm]  
 Adjustable  
 Flanges



Set Screws  
 For Height  
 Adjustment

Note:  
 Pipe Must be Held  
 Rigid Under Sink by  
 Connection Fittings,  
 Brace, Etc.

Rough-In Requirement:  
 (2) Ø1 1/4" [32mm]  
 Mounting Holes

Product Specifications:  
 1/2" NPT Vacuum Breaker Unit, 4" c/c

Product Compliance:  
 ASME A112.18.1 / CSA B125.1  
 NSF 61 - Section 9  
 NSF 372 (Low Lead Content)  
 ASSE 1001