



Foot Pedal Valves

B-0503

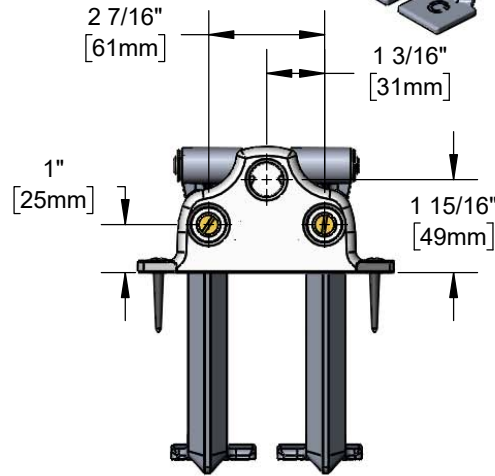
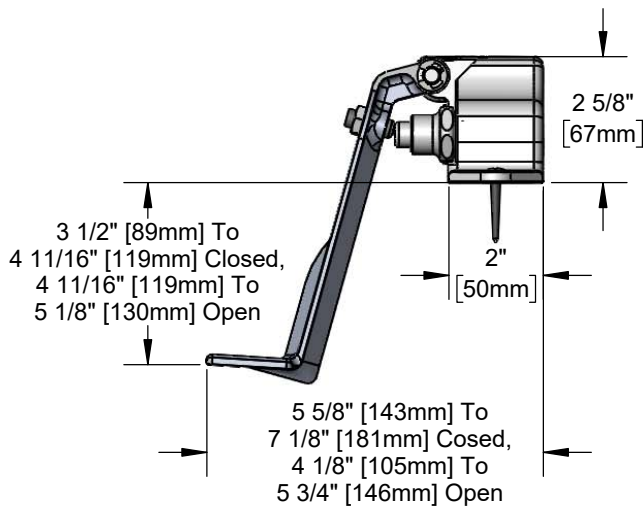
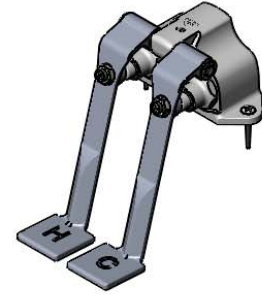
TAG:

Double Pedal Valve

Architect/Engineering Specifications:

Ledge mount double pedal valve with polished chrome plated solid brass body, adjustable height aluminum pedals, self-closing valves, 1/2" NPT female inlets, 1/2" NPT female outlet and mounting screws. Certified to ASME A112.18.1/CSA B125.1, NSF 61-Section 9 and NSF 372.

Job Name _____	
Model Specified _____	Quantity _____
Variations Specified _____	
Date _____	



Features & Benefits:

- Ledge mount double pedal valve w/ polished chrome plated brass body
- Hot and cold adjustable height aluminum pedals
- Self-closing valves
- 1/2" NPT female inlets and outlet
- Mounting screws included
- Material: Polished chrome plated brass body and aluminum pedals

Product Compliance:

- ASME A112.18.1 / CSA B125.1
- NSF 61 - Section 9
- NSF 372 (Low Lead Content)

Warranty: One Year (Limited)

Performance Data:

- Pressure: 20 - 125 psi
- Temperature: 40 °F - 140 °F
- Flow Rate: 12.00 GPM @ 60 psi



Optional Cartridges

- Metering Cartridge



T&S BRASS AND BRONZE WORKS, INC.



• 2 Saddleback Cove • Travelers Rest, SC 29690
 Ph 800-476-4103 • Fax 864-834-3518
 • Simi Valley, CA • Ph 800-423-0150 • www.tsbrass.com

Date: 11/21/19