



# T&S BRASS AND BRONZE WORKS, INC.

2 Saddleback Cove / P.O. Box 1088  
Travelers Rest, SC 29690

Model No.

**B-0133-CCB08**

Item No.

Travelers Rest, SC: 800-476-4103 • Simi Valley, CA: 800-423-0150 • Fax: 864-834-3518 • www.tsbrass.com

This Space for Architect/Engineer Approval

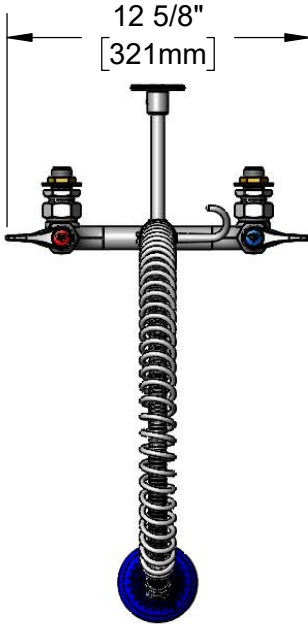
Job Name \_\_\_\_\_ Date \_\_\_\_\_

Model Specified \_\_\_\_\_ Quantity \_\_\_\_\_

Customer/Wholesaler \_\_\_\_\_

Contractor \_\_\_\_\_

Architect/Engineer \_\_\_\_\_



44" Flexible Stainless Steel Hose w/ Spring & Spray Valve

Items Not Shown For Clarity

Finger Hook

B-0108  
1.07 GPM  
JeTSpray Valve

Quarter-Turn Eterna Cartridges w/ Spring Checks & Lever Handles w/ Color Coded Indexes

3/8" NPT x 18" Riser

EasyInstall Lock Nut & Bushing

3 11/16" [94mm]

8" [203mm]

5 3/8" [137mm]

B-0109-01  
6" Wall Bracket

2" [51mm]

33 3/8" [848mm]

14 7/16" [366mm]

3/16" [5mm]  
Maximum Thickness

1/2" NPT Male Inlets

Mounting Surface

Rough-In Requirement:  
(2)  $\phi$  1" [25mm] Mounting Holes

**Product Specifications:**

Pre-Rinse Unit: EasyInstall 8" Wall Mount Mixing Faucet, Quarter-Turn Eterna Cartridges w/ Spring Checks, Lever Handles, 44" Flexible Stainless Steel Hose, 1.07 GPM JeTSpray Valve, 6" Wall Bracket & 1/2" NPT Male Inlets

**Product Compliance:**

ASME A112.18.1 / CSA B125.1  
NSF 61 - Section 9  
NSF 372 (Low Lead Content)  
2019 DOE PRSV - Class II

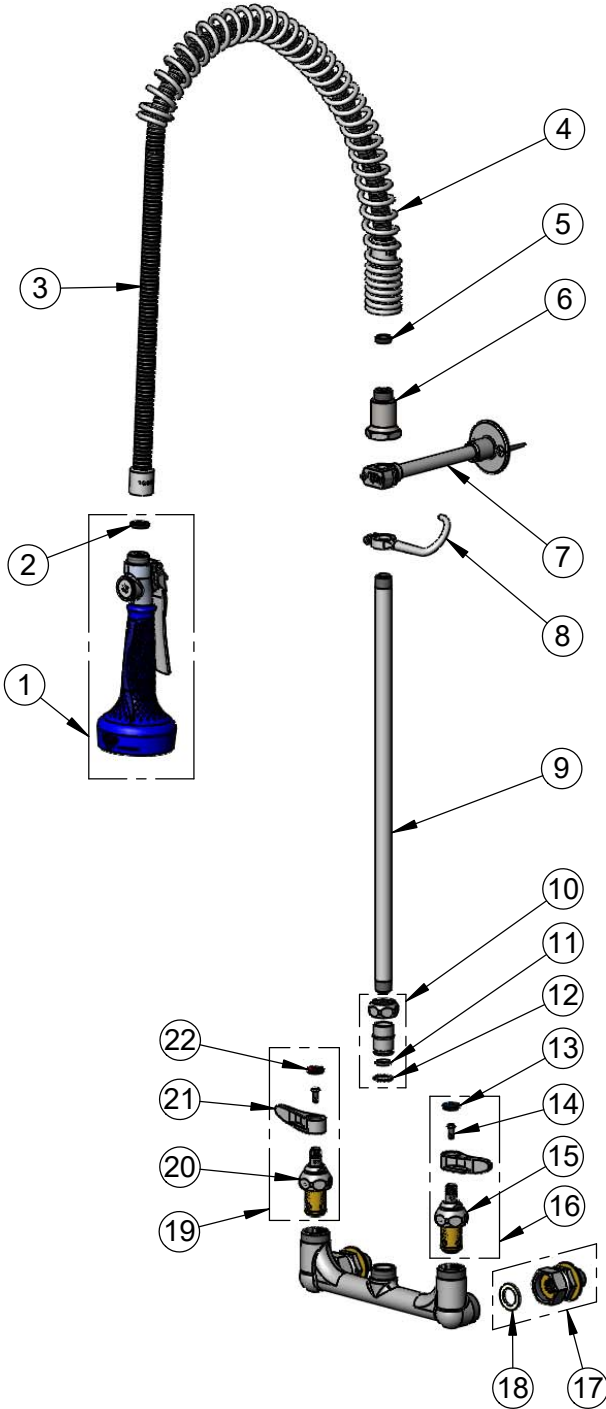


**T&S BRASS AND BRONZE WORKS, INC.**  
 2 Saddleback Cove / P.O. Box 1088  
 Travelers Rest, SC 29690

Model No.  
**B-0133-CCB08**

Item No.

Travelers Rest, SC: 800-476-4103 • Simi Valley, CA: 800-423-0150 • Fax: 864-834-3518 • www.tsbrass.com



ITEM NO.	SALES NO.	DESCRIPTION
1	B-0108	1.07 GPM JeTSpray Valve w/ Ergo-Grip
2	001014-45	Washer, B-0100 Hose Barrel
3	B-0044-H2A	44" Flexible Stainless Steel Hose, Less Handle
4	000888-45	EasyInstall Overhead Spring
5	010476-45	#27 Washer
6	000821-40	Spring Body
7	B-0109-01	6" Wall Bracket
8	004R	Finger Hook
9	000369-40	3/8" NPT x 18" Riser
10	EZ-K	EasyInstall Kit
11	001065-45	O-Ring
12	014200-45	Star Washer, Anti-Rotation
13	018506-19NS	Blue Button Index, Press-in
14	000925-45	Lab Handle Screw
15	012442-40NS	Quarter-Turn Eterna Cartridge w/ Spring Check, LTC
16	002711-40NS	Quarter-Turn Eterna Cartridge w/ Spring Check, Handle, Blue Index & Screw, LTC
17	00CC	1/2" NPT Male Inlet Flange
18	001019-45	Coupling Nut Washer
19	002712-40NS	Quarter-Turn Eterna Cartridge w/ Spring Check, Handle, Red Index & Screw, RTC
20	012443-40NS	Quarter-Turn Eterna Cartridge w/ Spring Check, RTC
21	001638-45NS	Lever Handle (New Style)
22	001193-19NS	Red Button Index, Press-in

**Product Specifications:**  
 Pre-Rinse Unit: EasyInstall 8" Wall Mount Mixing Faucet, Quarter-Turn Eterna Cartridges w/ Spring Checks, Lever Handles, 44" Flexible Stainless Steel Hose, 1.07 GPM JeTSpray Valve, 6" Wall Bracket & 1/2" NPT Male Inlets

**Product Compliance:**  
 ASME A112.18.1 / CSA B125.1  
 NSF 61 - Section 9  
 NSF 372 (Low Lead Content)  
 2019 DOE PRSV - Class II