



T&S BRASS AND BRONZE WORKS, INC.
 2 Saddleback Cove / P.O. Box 1088
 Travelers Rest, SC 29690

Model No.
B-2731-1H

Item No.

Travelers Rest, SC: 800-476-4103 • Simi Valley, CA: 800-423-0150 • Fax: 864-834-3518 • www.tsbrass.com



ADA Compliant

This Space for Architect/Engineer Approval

Job Name _____ Date _____

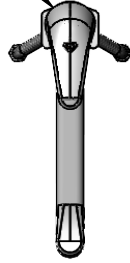
Model Specified _____ Quantity _____

Customer/Wholesaler _____

Contractor _____

Architect/Engineer _____

Ø 1 15/16"
 [49mm]



Ceramic Cartridge w/
 Temperature Limit Stop

Clamping Washer
 w/ Gasket

9" Swivel Spout
 w/ B-0199-04
 2.2 GPM Aerator

9 3/16"
 [234mm]

7 1/8"
 [181mm]

6"
 [153mm]

4 7/8"
 [123mm]

6 1/8"
 [155mm]

Mounting Surface

1"
 [25mm]
 Maximum Thickness

(2) Center Mounting Posts w/ Nuts

(2) 16" Flexible Stainless Steel Braided Supply Hoses w/ 3/8" Compression Inlets

Rough-In Requirement: Ø 1 1/2" [38mm]

Product Specifications:
 Single Lever Deck Mount Faucet, Ceramic Cartridge, 9" Swivel Spout, 2.2 GPM Aerator, Temperature Limit Stop, 4' Reinforced Flexible Sidespray w/ Hose Guide & (2) 16" Flexible Stainless Steel Braided Supply Hoses

Product Compliance:
 ASME A112.18.1 / CSA B125.1
 NSF 61 - Section 9
 NSF 372 (Low Lead Content)
 ANSI A117.1 (ADA)



T&S BRASS AND BRONZE WORKS, INC.

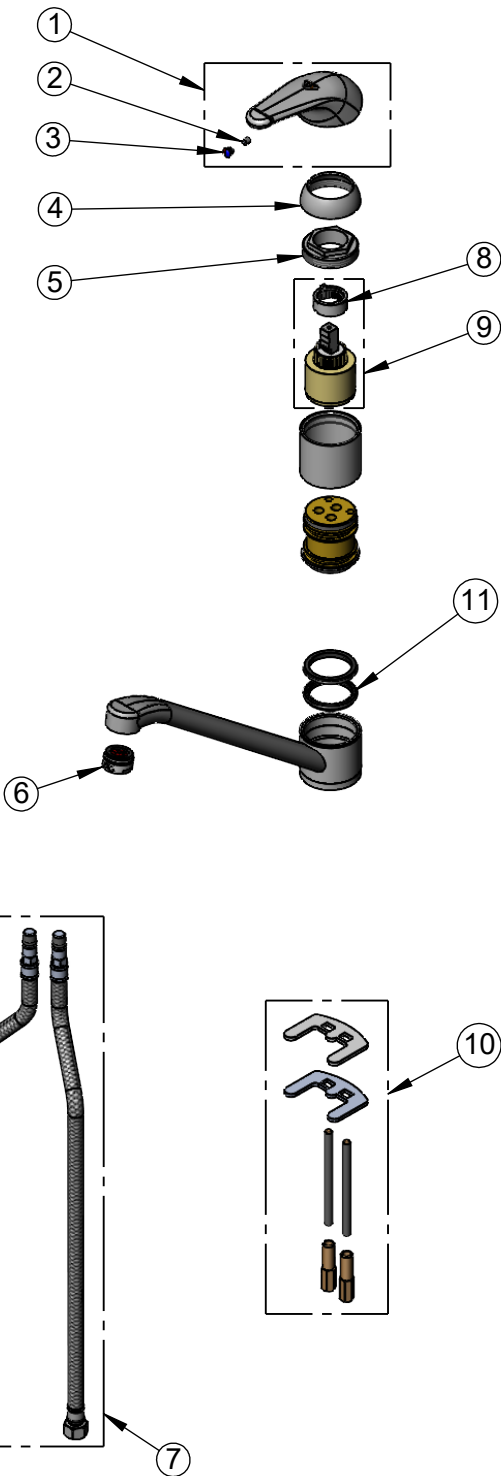
2 Saddleback Cove / P.O. Box 1088
Travelers Rest, SC 29690

Model No.

B-2731-1H

Item No.

Travelers Rest, SC: 800-476-4103 • Simi Valley, CA: 800-423-0150 • Fax: 864-834-3518 • www.tsbrass.com



ITEM NO.	SALES NO.	DESCRIPTION
1	013113-45	Single Lever Handle
2	016675-45	Set Screw
3	014173-45	Index, Temperature
4	016661-45	Trim Ring
5	016663-45	Locking Nut
6	B-0199-04	Aerator, 2.2 GPM - 15/16-27 Male
7	016879-45	16" Supply Hoses w/ 3/8" Compression Inlets (2)
8	015400-45	Temperature Limit Stop
9	013080-45	
10	014163-45	Lock Washer, B-2730 & B-2731
11	017150-45K	Base Seal - Qty 2

Product Specifications:

Single Lever Deck Mount Faucet, Ceramic Cartridge, 9" Swivel Spout, 2.2 GPM Aerator, Temperature Limit Stop, 4' Reinforced Flexible Sidespray w/ Hose Guide & (2) 16" Flexible Stainless Steel Braided Supply Hoses

Product Compliance:

ASME A112.18.1 / CSA B125.1
NSF 61 - Section 9
NSF 372 (Low Lead Content)
ANSI A117.1 (ADA)