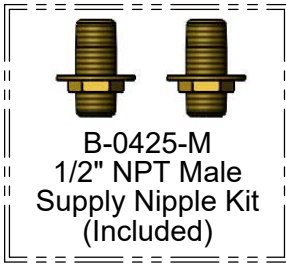
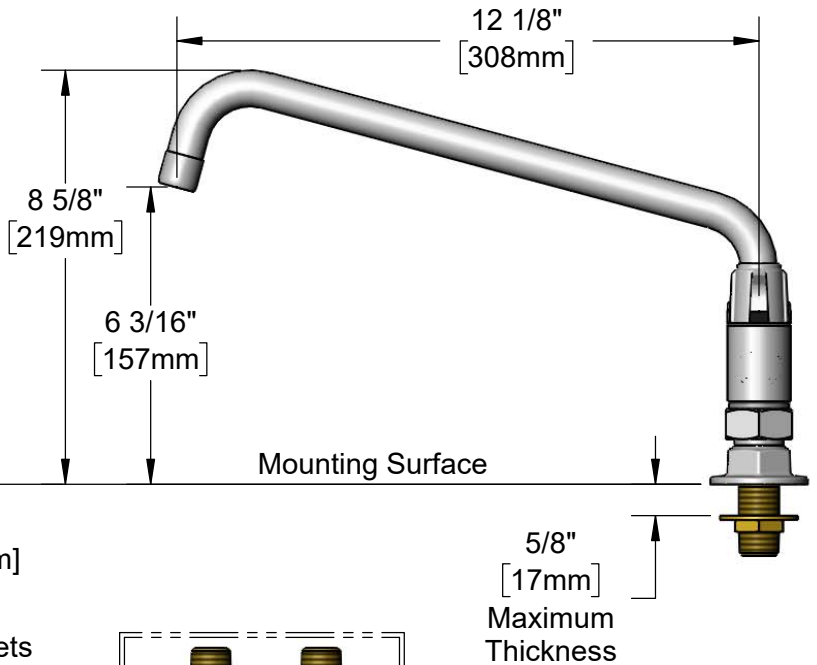
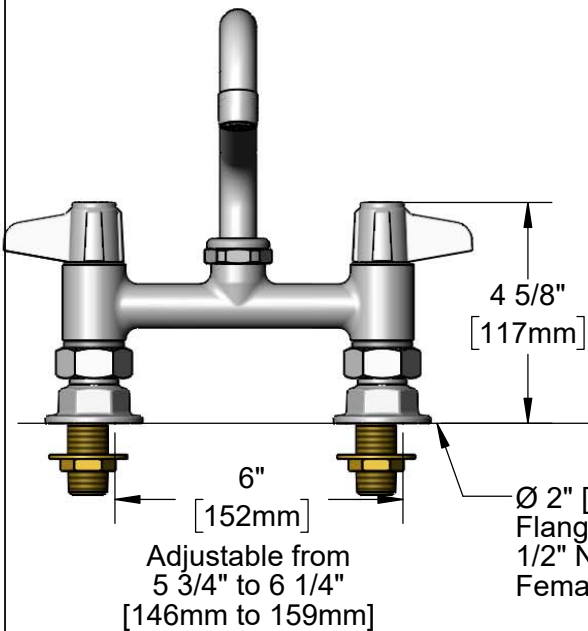
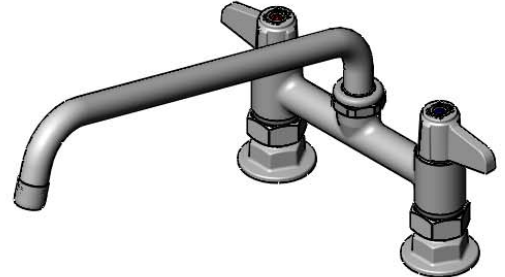


  
**ADA Compliant**

*This Space for Architect/Engineer Approval*  
 Job Name \_\_\_\_\_ Date \_\_\_\_\_  
 Model Specified \_\_\_\_\_ Quantity \_\_\_\_\_  
 Customer/Wholesaler \_\_\_\_\_  
 Contractor \_\_\_\_\_  
 Architect/Engineer \_\_\_\_\_

equip Quarter-Turn Ceramic Cartridges & equip Lever Handles w/ Color Coded Screws

5SP-12-F15  
 12 1/8" equip Swing Nozzle w/ 1.5 GPM Aerator.  
 Rigid Conversion Requires 014200-45 Lock Washer (Sold Separately)



Rough-In Requirement:  
 (2)  $\phi$  1" [25mm] Mounting Holes

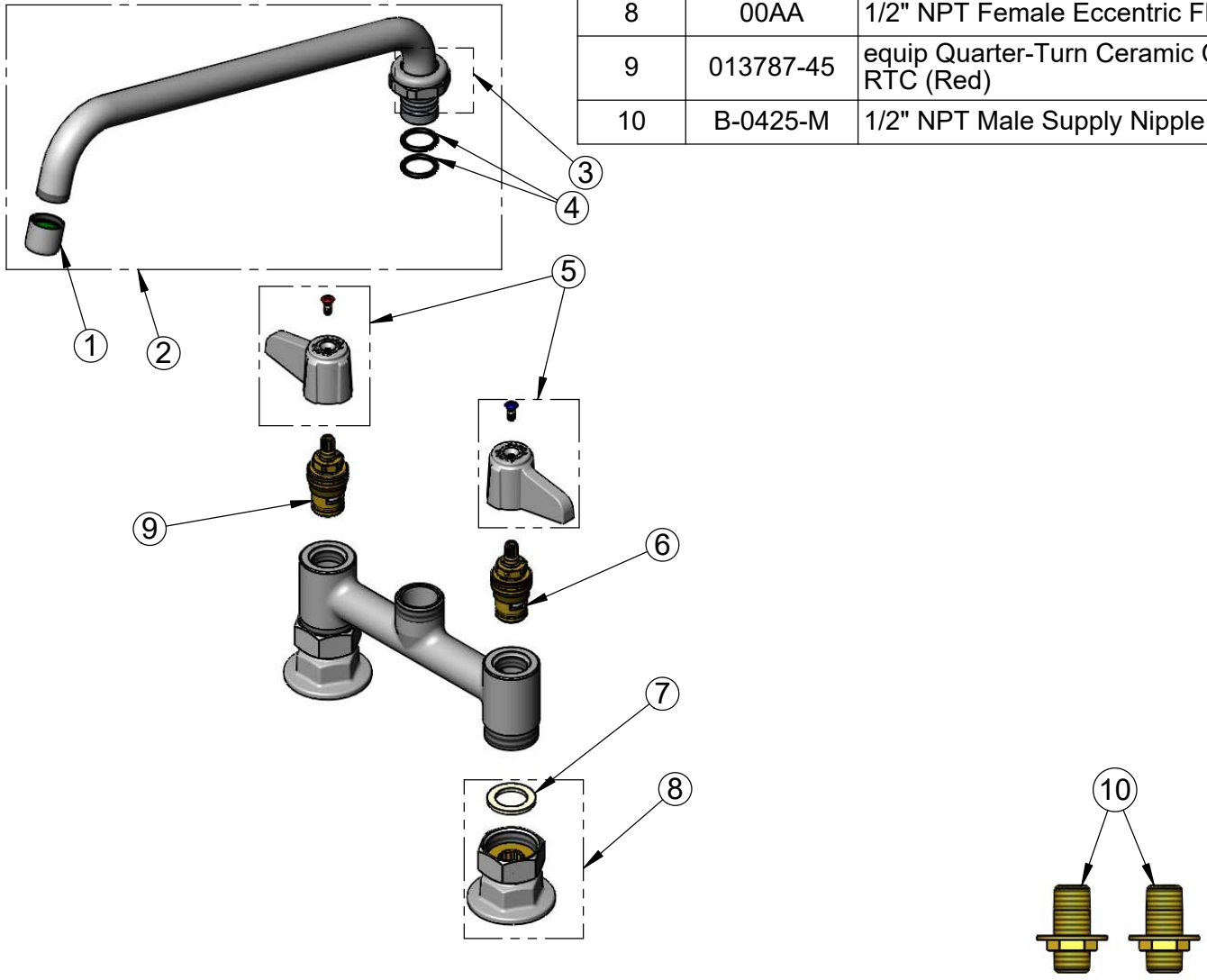
Model Number  
**5F-6DLS12-F15**

Product Compliance:  
 ASME A112.18.1 / CSA B125.1  
 NSF 61 - Section 9  
 NSF 372 (Low Lead Content)  
 ANSI A117.1 (ADA)

Product Specifications:  
 6" Deck Mount Mixing Faucet w/ equip Quarter-Turn Ceramic Cartridges, equip Lever Handles, 12 1/8" equip Swing Nozzle with 1.5 GPM Aerator & 1/2" NPT Male Supply Nipple Kit

equip Foodservice Accessories  2 Saddleback Cove, P.O. Box 1088  
 Travelers Rest, South Carolina 29690  
 Phone: 800.891.4808 Fax: 800.868.0084  
 equip.tsbrass.com

ITEM NO.	SALES NO.	DESCRIPTION
1	SP-F15	1.5 GPM Aerator, 3/4-27 UN Female
2	5SP-12-F15	12 1/8" Swing Nozzle
3	013839-25	equip Swivel Nut
4	013848-45	O-Ring
5	5-HDL-L	equip Lever Handle w/ Color Coded Screws
6	013788-45	equip Quarter-Turn Ceramic Cartridge, LTC (Blue)
7	001019-45	Coupling Nut Washer
8	00AA	1/2" NPT Female Eccentric Flange
9	013787-45	equip Quarter-Turn Ceramic Cartridge, RTC (Red)
10	B-0425-M	1/2" NPT Male Supply Nipple Kit (2)



Model Number  
**5F-6DLS12-F15**

Product Compliance:  
ASME A112.18.1 / CSA B125.1  
NSF 61 - Section 9  
NSF 372 (Low Lead Content)  
ANSI A117.1 (ADA)

Product Specifications:  
**6" Deck Mount Mixing Faucet w/ equip Quarter-Turn Ceramic Cartridges, equip Lever Handles, 12 1/8" equip Swing Nozzle with 1.5 GPM Aerator & 1/2" NPT Male Supply Nipple Kit**

equip  
Foodservice  
Accessories



2 Saddleback Cove, P.O. Box 1088  
Travelers Rest, South Carolina 29690  
Phone: 800.891.4808 Fax: 800.868.0084  
equip.tsbrass.com