



T&S BRASS AND BRONZE WORKS, INC.

2 Saddleback Cove / P.O. Box 1088
Travelers Rest, SC 29690

Model No.

B-1460-RMB-CR

Item No.

Travelers Rest, SC: 800-476-4103 • Simi Valley, CA: 800-423-0150 • Fax: 864-834-3518 • www.tsbrass.com

This Space for Architect/Engineer Approval

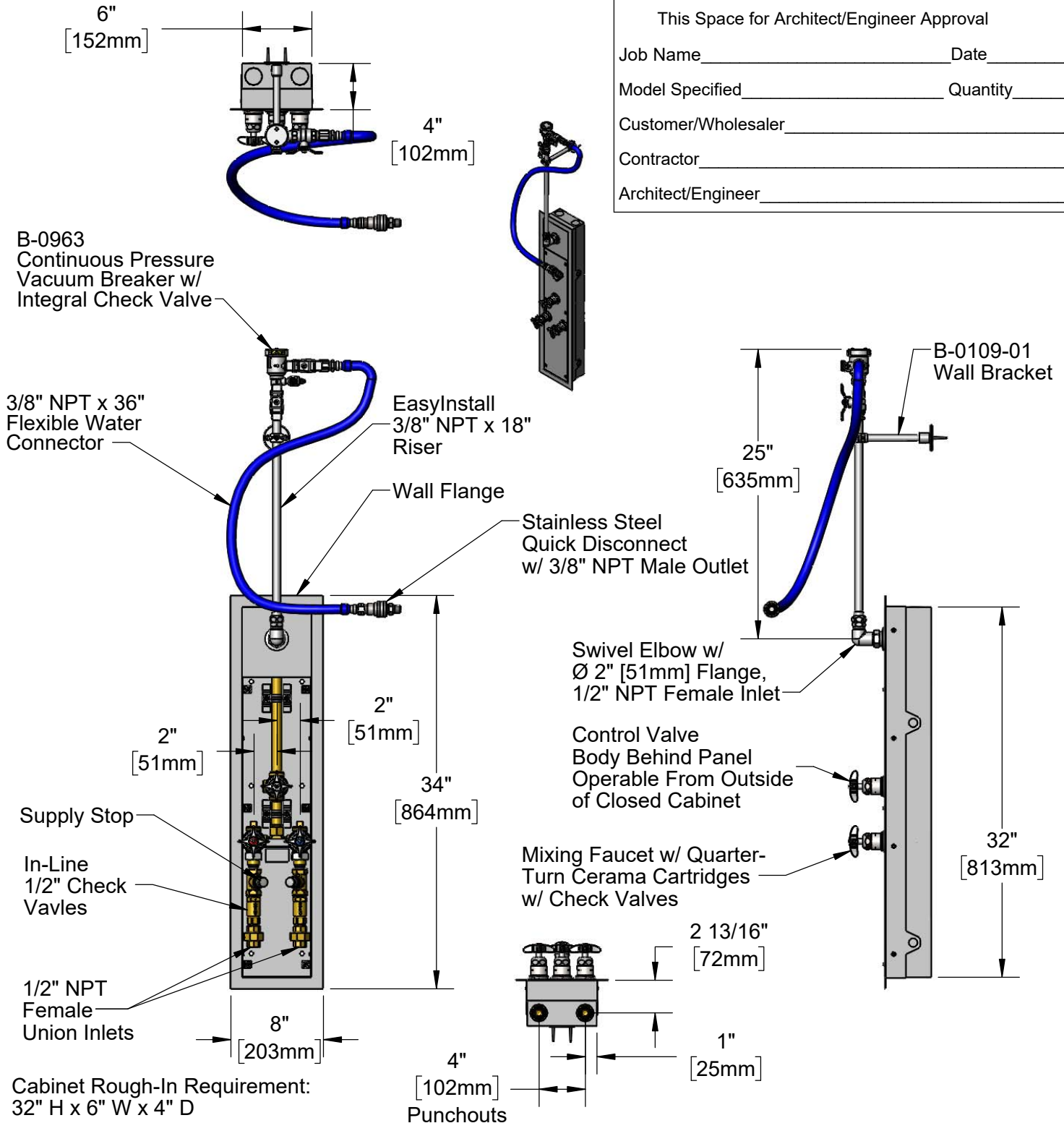
Job Name _____ Date _____

Model Specified _____ Quantity _____

Customer/Wholesaler _____

Contractor _____

Architect/Engineer _____



Product Specifications:
EasyInstall Hose Reel Recess Mounted Cabinet, Concealed Bypass Mixing Valve, Cerama Cartridges w/ Check Valves, Supply Stops, 1/2" NPT Female Union Inlets, Control Valve w/ Cerama Cartridge, 1/2" NPT Riser, Check Valves, Swivel Elbows w/ 1/2" NPT Female Inlet, EasyInstall 3/8" NPT x 18" Riser, 6" Wall Bracket, Continuous Pressure Vac. Breaker w/ Integral Check Valve, Removable Wall Flange, 36" Flexible Water Hose w/ Stainless Steel Quick Disconnect & 3/8" NPT Male Outlet

Product Compliance:
NSF 61 Exempt (Non-Portable)
ASSE 1056 (VB)

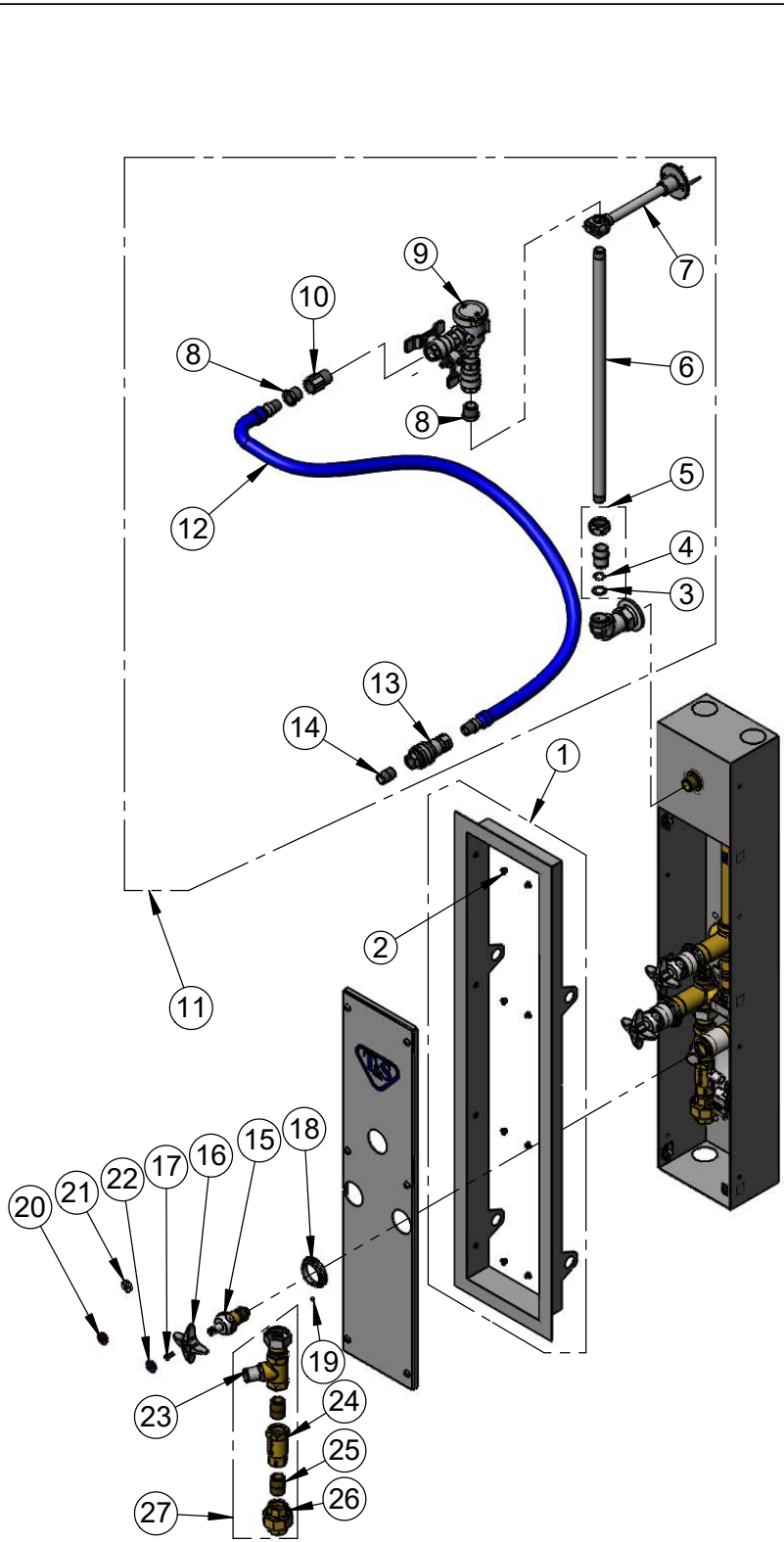


T&S BRASS AND BRONZE WORKS, INC.
 2 Saddleback Cove / P.O. Box 1088
 Travelers Rest, SC 29690

Model No.
B-1460-RMB-CR

Item No.

Travelers Rest, SC: 800-476-4103 • Simi Valley, CA: 800-423-0150 • Fax: 864-834-3518 • www.tsbrass.com



ITEM NO.	SALES NO.	DESCRIPTION
1	020828-45	SS Hose Reel System Cabinet Flange Recessed Mount
2	020840-45	10-32 x 3/16" Flange Screws, SS
3	014200-45	Star Washer, Anti-Rotation
4	001065-45	O-Ring
5	EZ-K	EasyIntall Kit: Nut, Bushing, O-Ring & Lock Washer
6	000369-40	3/8" NPT x 18" Riser
7	B-0109-01	6" Wall Bracket
8	001359-40	Hex Bushing, 1/2" NPT Male x 3/8" NPT Female
9	B-0963	Vacuum Breaker 1/2" NPT Female
10	015073-40	Check Valve W/ 1/2" NPT Female
11	0RK-SK	Hose Reel Connector Kit
12	HW-2B-36	3/8" NPT x 36" Flexible Connector Hose
13	AW-5B	3/8" NPT Quick Disconnect
14	002535-25	3/8" NPT Close Nipple
15	012394-25NS	Quarter-Turn Cerama w/ Check Valves, RTC
16	002521-45NS	4-Arm Handle (New Style)
17	000925-45	Lab Handle Screw
18	020839-40	Escutcheon
19	000939-45	Escutcheon, Set Screw
20	001193-19NS	Red Button Index, Press In
21	001205-19NS	White Blank Button Index
22	018506-19NS	Blue Button Index, Press In
23	020848-20	Straight Loose Key Stop, Unplated
24	B-CVH1-2	1/2" NPT Check Valve
25	002534-20	1/2" Male Close Nipple, Unplated
26	006649-20	1/2" Union, Unplated
27	020974-40	Inlet Assembly

Product Specifications:
 EasyInstall Hose Reel Recess Mounted Cabinet, Concealed Bypass Mixing Valve, Cerama Cartridges w/ Check Valves, Supply Stops, 1/2" NPT Female Union Inlets, Control Valve w/ Cerama Cartridge, 1/2" NPT Riser, Check Valves, Swivel Elbows w/ 1/2" NPT Female Inlet, EasyInstall 3/8" NPT x 18" Riser, 6" Wall Bracket, Continuous Pressure Vac. Breaker w/ Integral Check Valve, Removable Wall Flange, 36" Flexible Water Hose w/ Stainless Steel Quick Disconnect & 3/8" NPT Male Outlet

Product Compliance:
 NSF 61 Exempt (Non-Portable)
 ASSE 1056 (VB)