



T&S BRASS AND BRONZE WORKS, INC.

2 Saddleback Cove / P.O. Box 1088
Travelers Rest, SC 29690

Model No.

B-7232-U01XS2E

Item No.

Travelers Rest, SC: 800-476-4103 • Simi Valley, CA: 800-423-0150 • Fax: 864-834-3518 • www.tsbrass.com

This Space for Architect/Engineer Approval

Job Name _____ Date _____

Model Specified _____ Quantity _____

Customer/Wholesaler _____

Contractor _____

Architect/Engineer _____

B-0963
Continuous Pressure
Vacuum Breaker w/
Integral Check Valve

3/8" NPT x 36"
Flexible Water
Hose Connector

3/8" NPT x 40" Riser

Stainless Steel
Quick Disconnect

Control Valve

EasyInstall
3/8" NPT x 16"
Riser

(2) B-0109-07
Wall Brackets

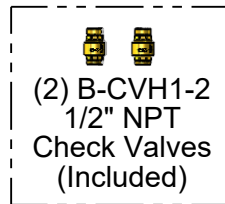
3 11/16"
[94mm]

Ø 2" [51mm]
Flanges w/
1/2" NPT
Female Inlets

Adjustable From
7 3/4" to 8 1/4"
[197mm to 210mm]

8" Wall Mount
Mixing Faucet,
Quarter-Turn
Eterna Cartridges
w/ Spring Checks
& Lever Handles
w/ Color Coded
Indexes

12 5/8"
[321mm]



Open Coated Hose Reel
w/ 35' of 3/8" Hose

019652-40
3/8" NPT
Live Swivel

EB-0107
High Flow
Spray Valve
(Blue)

5 1/2"
[139mm]

2 3/8"
[60mm]

Ø 1/2"
[13mm]
Typ

6 7/16"
[164mm]

5 1/4"
[133mm]

3/4"
[19mm]

1/2"
[13mm]
Typ

17 13/16"
[453mm]

2 3/8"
[61mm]

64 7/8"
[1647mm]

Product Specifications:

Open Coated Hose Reel w/ 35' of 3/8" Hose, High Flow Spray Valve w/ Swivel, Vacuum Breaker, 3/8" NPT Flexible Water Hose, 8" Wall Mount Mixing Faucet, 1/2" NPT Check Valves, Wall Brackets & Control Valve

Product Compliance:

NSF 61 Exempt (Non-Potable)
2019 DOE PRSV Non-Compliant
ASSE 1056 (VB)



T&S BRASS AND BRONZE WORKS, INC.

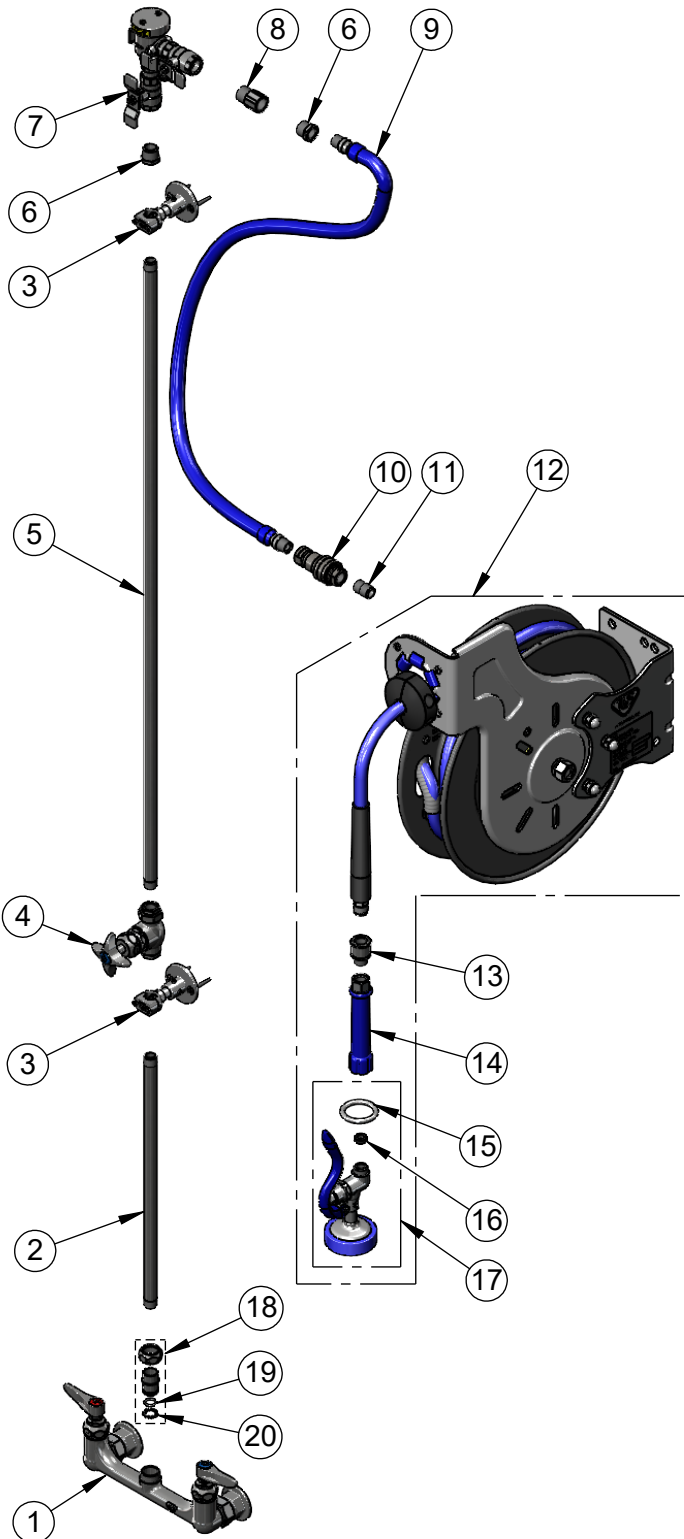
2 Saddleback Cove / P.O. Box 1088
Travelers Rest, SC 29690

Model No.

B-7232-U01XS2E

Item No.

Travelers Rest, SC: 800-476-4103 • Simi Valley, CA: 800-423-0150 • Fax: 864-834-3518 • www.tsbrass.com



ITEM NO.	SALES NO.	DESCRIPTION
1	B-0230-LN	8" Wall Mount Mixing Faucet
2	000368-40	Nipple, 3/8" x 16"
3	B-0109-07	Wall Bracket
4	0RK3	Control Valve
5	002558-40	3/8" NPT x 40" Riser
6	001359-40	Hex Bushing, 1/2" NPT Male x 3/8" NPT Female
7	B-0963	Vacuum Breaker 1/2" NPT Female
8	015073-40	Check Valve w/ 1/2" NPT Adapter
9	HW-2B-36	3/8" NPT x 36" Flexible Water Hose
10	AW-5B	3/8" NPT Quick Disconnect
11	002535-25	3/8" Close Nipple
12	B-7232-01	Open Stainless Steel Hose Reel w/ 35' of 3/8" Hose
13	019652-40	3/8" NPT Live Swivel
14	012504-40	Grip Handle (Blue), 3/8" NPT
15	000907-45	Spray Valve Hold Down Ring
16	010476-45	#27 Washer
17	EB-0107	High Flow Spray Valve (Blue)
18	EZ-K	EasyInstall Kit
19	001065-45	O-Ring
20	014200-45	Star Washer, Anti-Rotation



B-CVH1-2
1/2" NPT Check Valve

Product Specifications:

Open Coated Hose Reel w/ 35' of 3/8" Hose, High Flow Spray Valve w/ Swivel, Vacuum Breaker, 3/8" NPT Flexible Water Hose, 8" Wall Mount Mixing Faucet, 1/2" NPT Check Valves, Wall Brackets & Control Valve

Product Compliance:

NSF 61 Exempt (Non-Potable)
2019 DOE PRSV Non-Compliant
ASSE 1056 (VB)