



T&S BRASS AND BRONZE WORKS, INC.

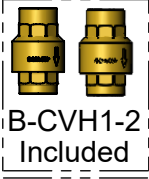
2 Saddleback Cove / P.O. Box 1088
Travelers Rest, SC 29690

Model No.

B-7112-U1MWS2C

Item No.

Travelers Rest, SC: 800-476-4103 • Simi Valley, CA: 800-423-0150 • Fax: 864-834-3518 • www.tsbrass.com



B-CVH1-2
Included

B-0963
Continuous Pressure
Vacuum Breaker w/
Integral Check Valve

3/8" NPT x 36"
Flexible Water
Connector

Stainless Steel
Quick Disconnect

3/8" NPT x 40" Riser

Control Valve

(2) B-0109-07
Wall Brackets

EasyInstall
3/8" NPT x
16" Riser

12 5/8"
[321mm]

8"
[203mm]
Adjustable From
7 3/4" to 8 1/4"
[197mm to 210mm]
Ø 2" [51mm]
Flanges w/
1/2" NPT
Female Inlets

Mounting Hardware Included
for Hose Reel to Bracket

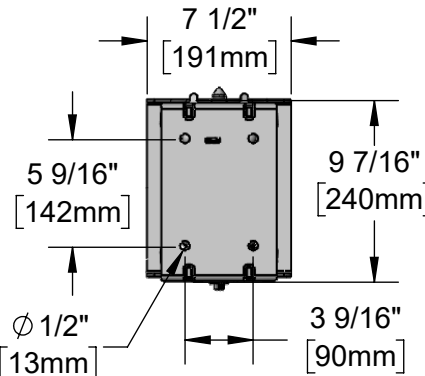
Open Stainless Steel
Hose Reel w/ 15' of 3/8" Hose

019652-40
3/8" NPT
Live Swivel

B-0107
1.15 GPM
Spray Valve

8" Wall Mount Mixing
Faucet, Quarter-Turn Cerama
Cartridges w/ Check Valves
& Lever Handles w/ Color
Coded Indexes

3 11/16"
[93mm]



EasyInstall Wall
Mount Swing Bracket
Mounting Holes

64 7/8"
[1647mm]

17 13/16"
[453mm]

2 3/8"
[61mm]

This Space for Architect/Engineer Approval

Job Name _____ Date _____

Model Specified _____ Quantity _____

Customer/Wholesaler _____

Contractor _____

Architect/Engineer _____

Product Specifications:

Open Stainless Steel Hose Reel w/ 15' of 3/8" Hose, 1.15 GPM Spray Valve w/ Swivel, Vacuum Breaker, 3/8" NPT Flexible Water Connector, 8" Wall Mount Mixing Faucet w/ Quarter-Turn Cerama Cartridges w/ Check Valves, Control Valve, Horizontal Check Valves, 100° EasyInstall Stainless Steel Swing Bracket w/ Mounting Hardware for Hose Reel to Bracket

Product Compliance:

NSF 61 Exempt (Non-Potable)
2019 DOE PRSV - Class II
ASSE 1056 (VB)



T&S BRASS AND BRONZE WORKS, INC.

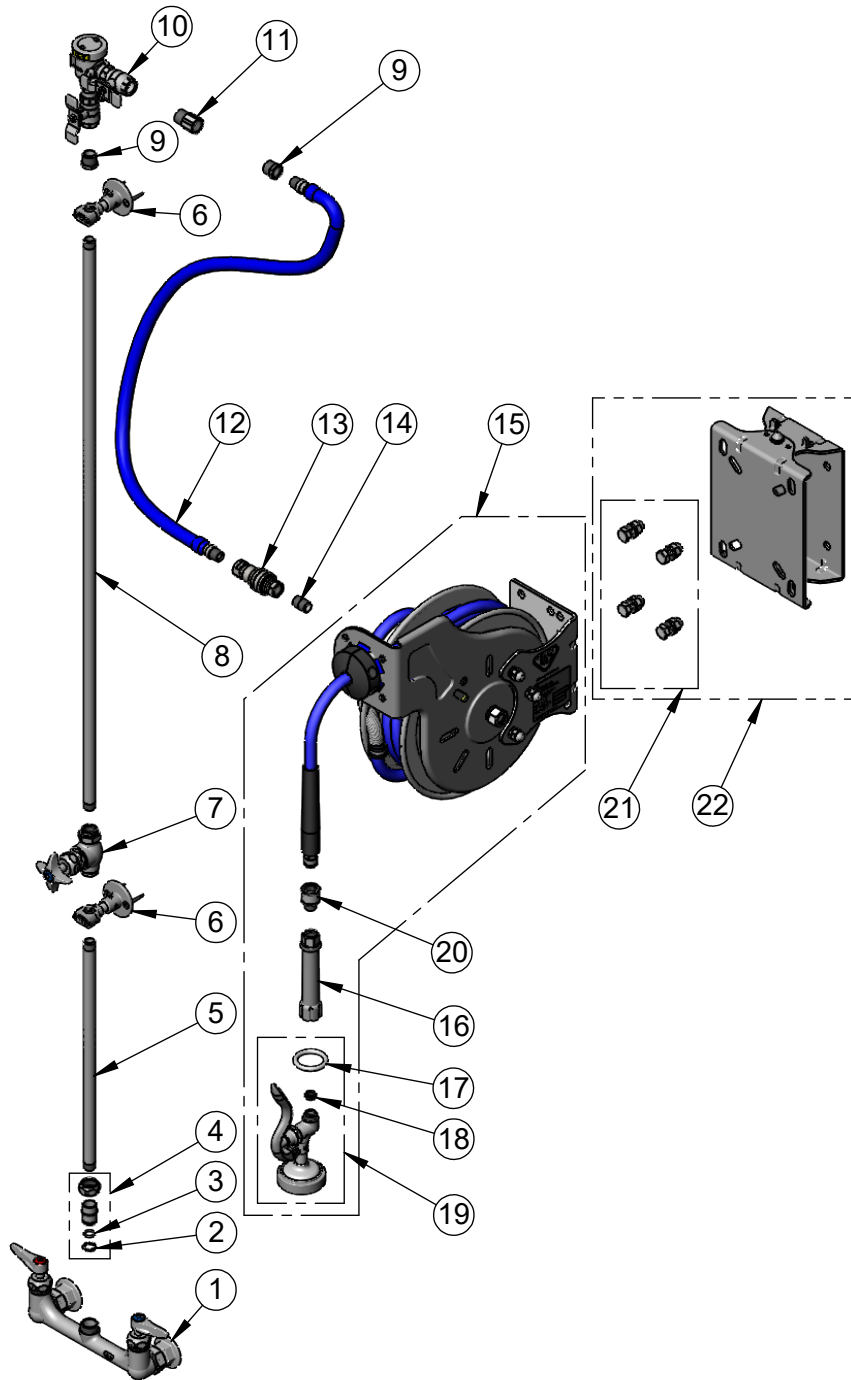
2 Saddleback Cove / P.O. Box 1088
Travelers Rest, SC 29690

Model No.

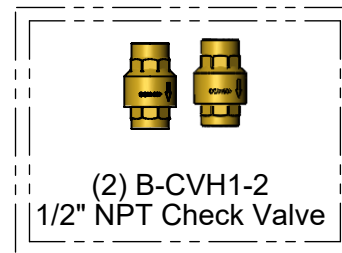
B-7112-U1MWS2C

Item No.

Travelers Rest, SC: 800-476-4103 • Simi Valley, CA: 800-423-0150 • Fax: 864-834-3518 • www.tsbrass.com



ITEM NO.	SALES NO.	DESCRIPTION
1	B-0230-CR-LN	8" Wall Mount Mixing Faucet
2	014200-45	Star Washer, Anti-Rotation
3	001065-45	O-Ring
4	EZ-K	EasyInstall Kit
5	000368-40	Nipple, 3/8" x 16"
6	B-0109-07	Wall Bracket
7	0RK3	Control Valve
8	002558-40	3/8" NPT x 40" Riser
9	001359-40	Hex Bushing, 1/2" NPT Male x 3/8" NPT Female
10	B-0963	1/2" NPT Continuous Pressure Vacuum Breaker w/ Integral Check Valve
11	015073-40	Check Valve w/ 1/2" NPT Adapter
12	HW-2B-36	3/8" NPT x 36" Flexible Water Hose
13	AW-5B	3/8" NPT Quick Disconnect
14	002535-25	3/8" Close Nipple
15	B-7112-01M	Open Stainless Steel Hose Reel w/ 15' of 3/8" Hose
16	002881-40	Gray Grip Handle
17	000907-45	Spray Valve Hold Down Ring
18	010476-45	#27 Washer
19	B-0107	1.15 GPM Spray Valve
20	019652-40	3/8" NPT Live Swivel
21	019191-45K	Hose Reel Mounting Kit
22	G019430-45	EasyInstall Hose Reel Stainless Steel Swing Bracket



Product Specifications:

Open Stainless Steel Hose Reel w/ 15' of 3/8" Hose, 1.15 GPM Spray Valve w/ Swivel, Vacuum Breaker, 3/8" NPT Flexible Water Connector, 8" Wall Mount Mixing Faucet w/ Quarter-Turn Cerama Cartridges w/ Check Valves, Control Valve, Horizontal Check Valves, 100° EasyInstall Stainless Steel Swing Bracket w/ Mounting Hardware for Hose Reel to Bracket

Product Compliance:

NSF 61 Exempt (Non-Potable)
2019 DOE PRSV - Class II
ASSE 1056 (VB)