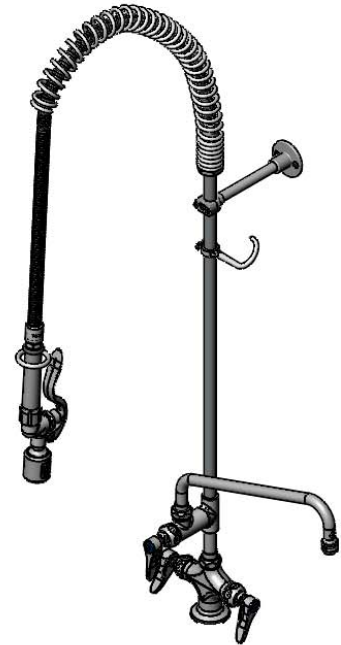
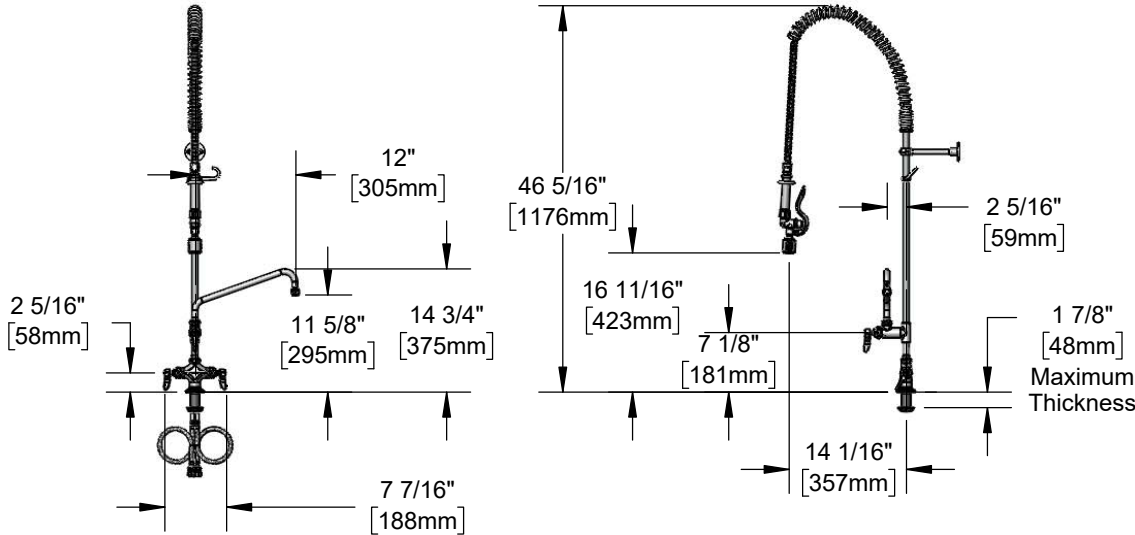




Architect/Engineering Specifications:

Single hole deck mount mixing faucet with polished chrome plated brass body, add-on faucet with compression cartridge with spring check and lever handle, 12" swing nozzle with stream regulator outlet, 24" riser, 44" flexible stainless steel hose with heat resistant handle, 1.07 GPM spray valve, compression cartridges with spring checks, lever handles, 18" flexible stainless steel supply hoses with 1/2" NPSM / 5/8" compression connections, 6" adjustable wall bracket, spray valve holder, and overhead spring. Certified to ASME A112.18.1/CSA B125.1, NSF 61-Section 9 and NSF 372. 2019 DOE PRSV - Class II compliant.

Job Name _____
Model Specified _____ Quantity _____
Variations Specified _____
Date _____



Features & Benefits:

- Single hole deck mount mixing faucet w/ polished chrome plated brass body
• EasyInstall add-on faucet w/ polished chrome plated brass body
• 12" swing nozzle w/ stream regulator outlet, Series 1
• 24" rigid riser
• 44" flexible stainless steel hose w/ heat resistant gray handle and hold down ring
• 1.07 GPM spray valve
• Quarter-turn Eterna compression cartridges w/ spring checks to prevent cross flow of water
• Lever handles w/ color coded indexes
• 18" flexible stainless steel supply hoses w/ 1/2" NPSM / 5/8" compression connections
• 6" adjustable wall bracket
• Material: Polished chrome plated brass body, & tubular nozzle, add-on faucet body, riser & spray valve, stainless steel hose and chrome plated metal handles

Product Compliance:

- ASME A112.18.1 / CSA B125.1
• NSF 61 - Section 9
• NSF 372 (Low Lead Content)
• 2019 DOE PRSV - Class II



Warranty: Three Year (Limited)

Performance Data:

- Pressure: 20 - 125 psi
• Temperature: 40 °F - 140 °F
• Flow Rate:
 Spray Valve: 1.07 GPM @ 60 psi
 Add-On Faucet: 5.57 GPM @ 60 psi

Optional Add-On Faucet Outlets (Series 1 / VR Series 6)

Table with 3 columns: GPM, Aerated, VR Aerated. Rows for 1.0, 1.5, and 2.2 GPM with corresponding model numbers like B-0199-01-F10.

Optional Cartridges With Checks

- Quarter-Turn Cerama w/ Check Valve
□ Quarter-Turn Eterna w/ Spring Check (Standard)

Optional Handles

- 4" Wrist Action
□ Lever (Standard)
□ 4-Arm

Optional Pre-Rinse Spray Valves

- B-0107 (1.15 GPM)
□ B-0107-C (0.65 GPM)
□ B-0107-J (1.07 GPM) (Standard)
□ B-0108 (1.07 GPM)
□ B-0108-C (0.65 GPM)

