



T&S BRASS AND BRONZE WORKS, INC.
 2 Saddleback Cove / P.O. Box 1088
 Travelers Rest, SC 29690

Model No.
B-7232-01M

Item No.

Travelers Rest, SC: 800-476-4103 • Simi Valley, CA: 800-423-0150 • Fax: 864-834-3518 • www.tsbrass.com

This Space for Architect/Engineer Approval

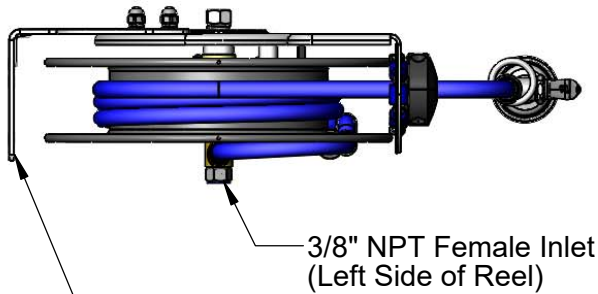
Job Name _____ Date _____

Model Specified _____ Quantity _____

Customer/Wholesaler _____

Contractor _____

Architect/Engineer _____



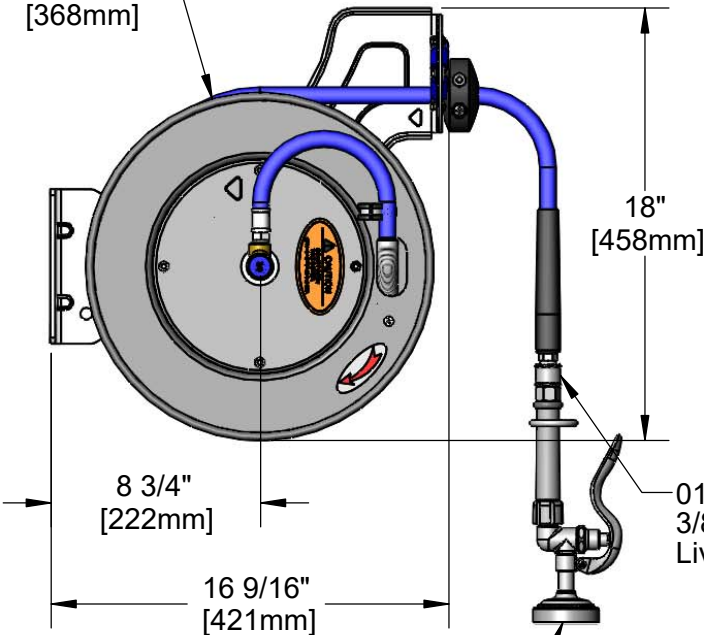
Open Coated Hose Reel;
 35 Ft. of 3/8" Hose

3/8" NPT Female Inlet
 (Left Side of Reel)



7 3/16"
 [182mm]

Ø 14 1/2"
 [368mm]



18"
 [458mm]

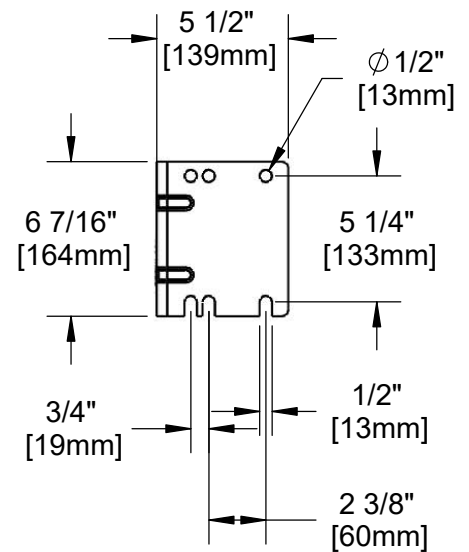
8 3/4"
 [222mm]

16 9/16"
 [421mm]

019652-40
 3/8" NPT
 Live Swivel

B-0107
 1.15 GPM
 Spray Valve

Mounting Hole Details



5 1/2"
 [139mm]

Ø 1/2"
 [13mm]

6 7/16"
 [164mm]

5 1/4"
 [133mm]

3/4"
 [19mm]

1/2"
 [13mm]

2 3/8"
 [60mm]

Product Specifications:
 3/8" x 35 Ft. Open Coated Reel w/ 1.15 GPM Spray Valve & Swivel

Product Compliance:
 NSF 61 Exempt (Non-Potable)
 2019 DOE PRSV - Class II



T&S BRASS AND BRONZE WORKS, INC.

2 Saddleback Cove / P.O. Box 1088
Travelers Rest, SC 29690

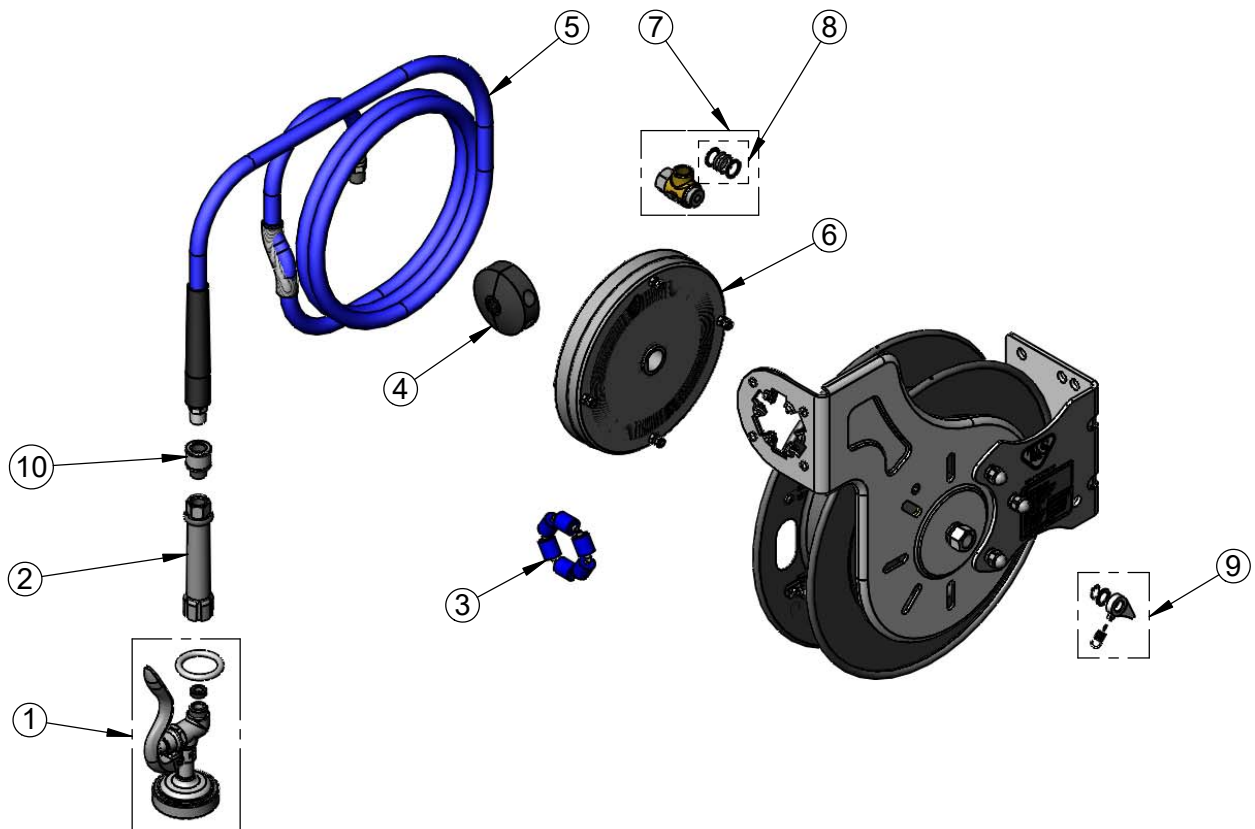
Model No.

B-7232-01M

Item No.

Travelers Rest, SC: 800-476-4103 • Simi Valley, CA: 800-423-0150 • Fax: 864-834-3518 • www.tsbrass.com

ITEM NO.	SALES NO.	DESCRIPTION
1	B-0107	1.15 GPM Spray Valve
2	002881-40	Gray Handle Grip
3	014938-45	Roller Assembly Repair Kit
4	014949-45	Hose Stop Repair Kit
5	014941-45	3/8" x 35' Hose Replacement Kit
6	014932-45	Small Spring Assembly
7	014946-45	3/8" Swivel Repair Kit
8	014948-45	O-Ring Replacement Kit
9	014940-45	Ratchet Repair Kit
10	019652-40	3/8" NPT Live Swivel



Product Specifications:
3/8" x 35 Ft. Open Coated Reel w/ 1.15 GPM Spray Valve & Swivel

Product Compliance:
NSF 61 Exempt (Non-Potable)
2019 DOE PRSV - Class II