



8" Wall Mount Mixing Faucet

Architect/Engineering Specifications:

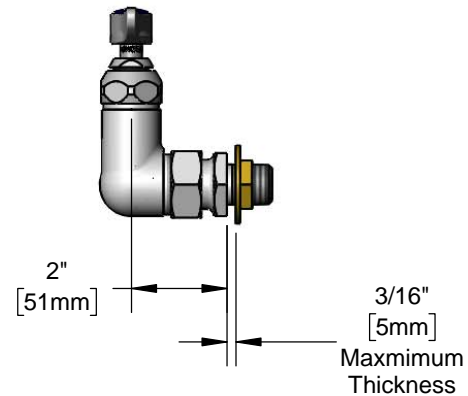
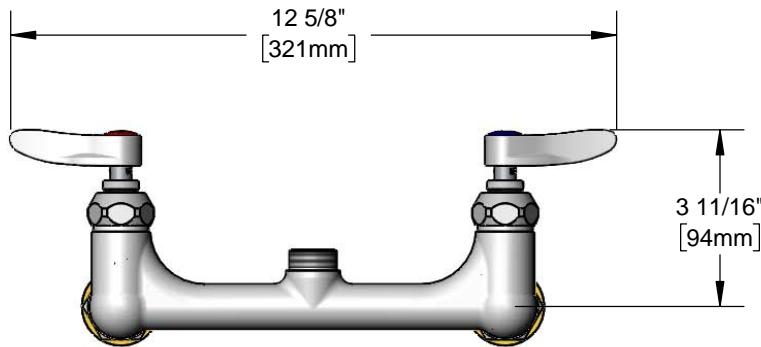
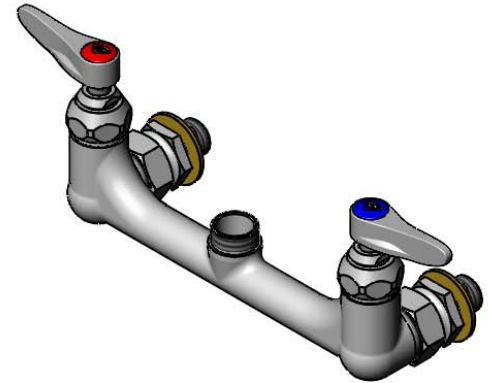
8" wall mount mixing faucet, compression cartridges with spring checks, lever handles and 1/2" NPT male inlets. Certified to ASME A112.18.1/CSA B125.1, NSF 61- Section 9 and NSF 372. Meet ADA ANSI/ICC A117.1 requirements.

Job Name _____

Model Specified _____ Quantity _____

Variations Specified _____

Date _____



Features & Benefits:

- 8" wall mount EasyInstall mixing faucet
- Quarter-turn Eterna compression cartridges with spring checks to prevent cross flow of water
- Lever handles
- Swivel outlet accepts all standard T&S EasyInstall risers
- 1/2" NPT male inlets
- Material: Chrome plated brass body and chrome plated metal handles

Product Compliance:

- ASME A112.18.1 / CSA B125.1
- NSF 61 - Section 9
- NSF 372 (Low Lead Content)
- ANSI A117.1 (ADA)



Warranty: One Year (Limited)



Performance Data:

- Pressure: 20 - 125 psi
- Temperature: 40 °F - 140 °F
- Flow Rate: 28.63 GPM @ 60 psi



ADA Compliant

(Outlet Device &/or Final Configuration May Reduce Flow Rate)

