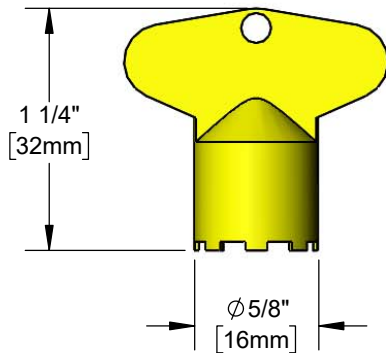
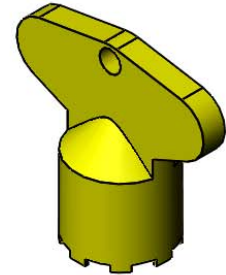




Architect/Engineering Specifications:

Vandal resistant aerator key for aerators with M16.5 x 1 male threads.

Job Name _____
 Model Specified _____ Quantity _____
 Variations Specified _____
 Date _____



Features & Benefits:

- Vandal resistant aerator key
- For use with aerators w/ M16.5 x 1 male threads

Product Compliance:

- N/A

Warranty: One Year (Limited)

