



T&S BRASS AND BRONZE WORKS, INC.
 2 Saddleback Cove / P.O. Box 1088
 Travelers Rest, SC 29690

Model No.

UK-0107

Item No.

Travelers Rest, SC: 800-476-4103 • Simi Valley, CA: 800-423-0150 • Fax: 864-834-3518 • www.tsbrass.com

This Space for Architect/Engineer Approval

Job Name _____ Date _____

Model Specified _____ Quantity _____

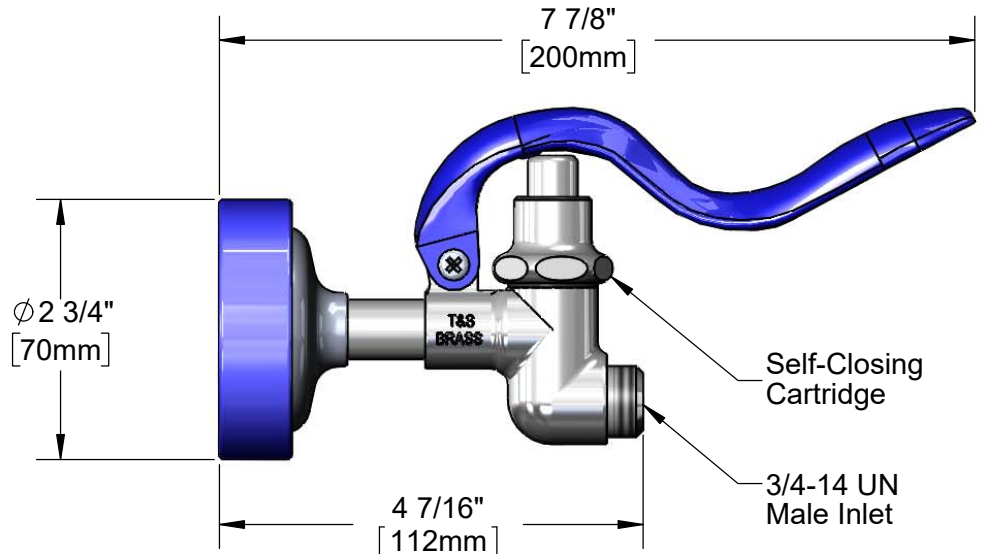
Customer/Wholesaler _____

Contractor _____

Architect/Engineer _____



Hose Washer &
Hold Down Ring
(Included)



Product Specifications:
 Pre-Rinse Self-Closing Spray Valve w/ Rubber Bumper & 1.15 GPM Flow
 Control Spray Face (Blue)

Product Compliance:
 WRAS Compliant Product (UK)



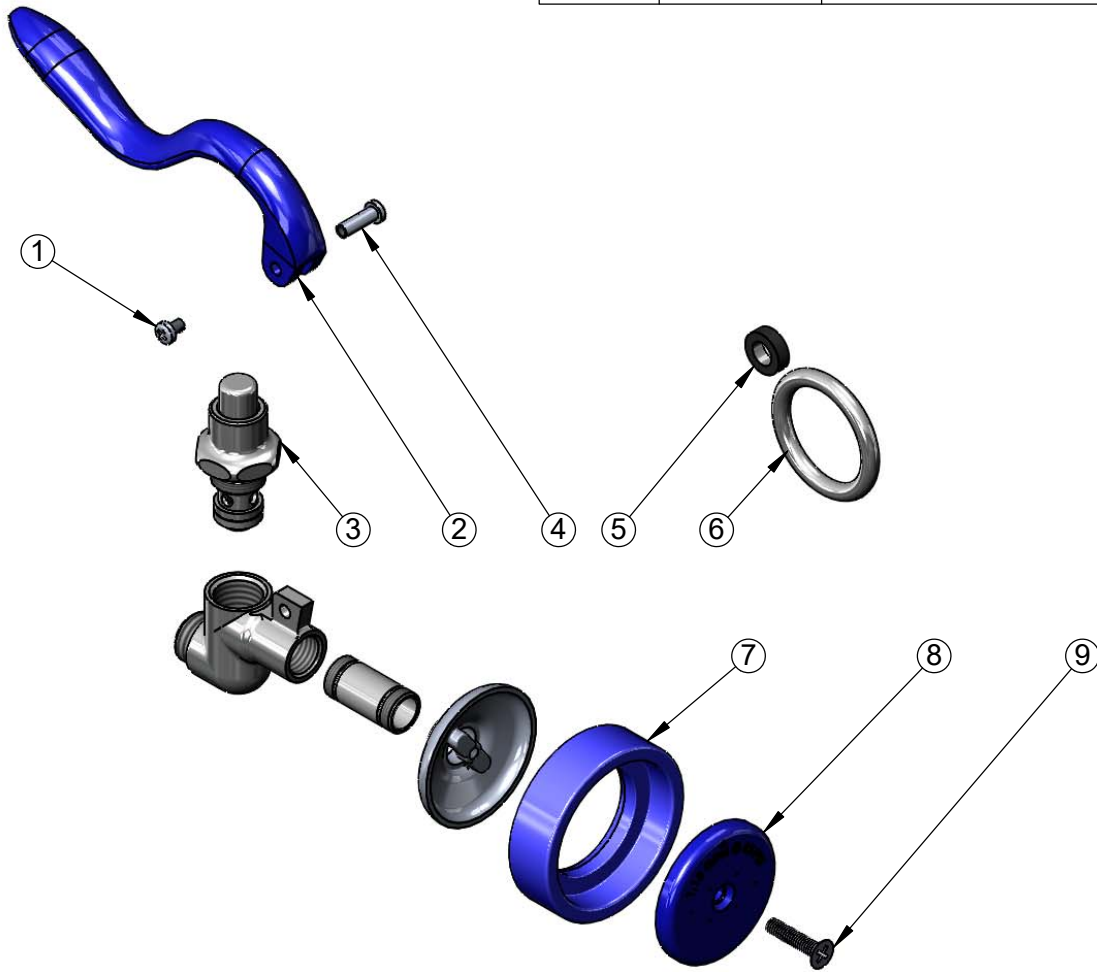
T&S BRASS AND BRONZE WORKS, INC.
 2 Saddleback Cove / P.O. Box 1088
 Travelers Rest, SC 29690

Model No.
UK-0107

Item No.

Travelers Rest, SC: 800-476-4103 • Simi Valley, CA: 800-423-0150 • Fax: 864-834-3518 • www.tsbrass.com

ITEM NO.	SALES NO.	DESCRIPTION
1	003199-45	UK-0107, Spray Valve
2	011454-45	Spray Valve Handle (Blue)
3	010594-40	Spray Valve Bonnet
4	003198-45	Spray Valve Handle Nut
5	010476-45	#27 Washer
6	000907-45	Spray Valve Hold Down Ring
7	011475-45	Spray Valve Sprayhead Ring (Blue)
8	017288-45	Spray Face (Blue)
9	000913-45	Screw



Product Specifications:
 Pre-Rinse Self-Closing Spray Valve w/ Rubber Bumper & 1.15 GPM Flow
 Control Spray Face (Blue)

Product Compliance:
 WRAS Compliant Product (UK)