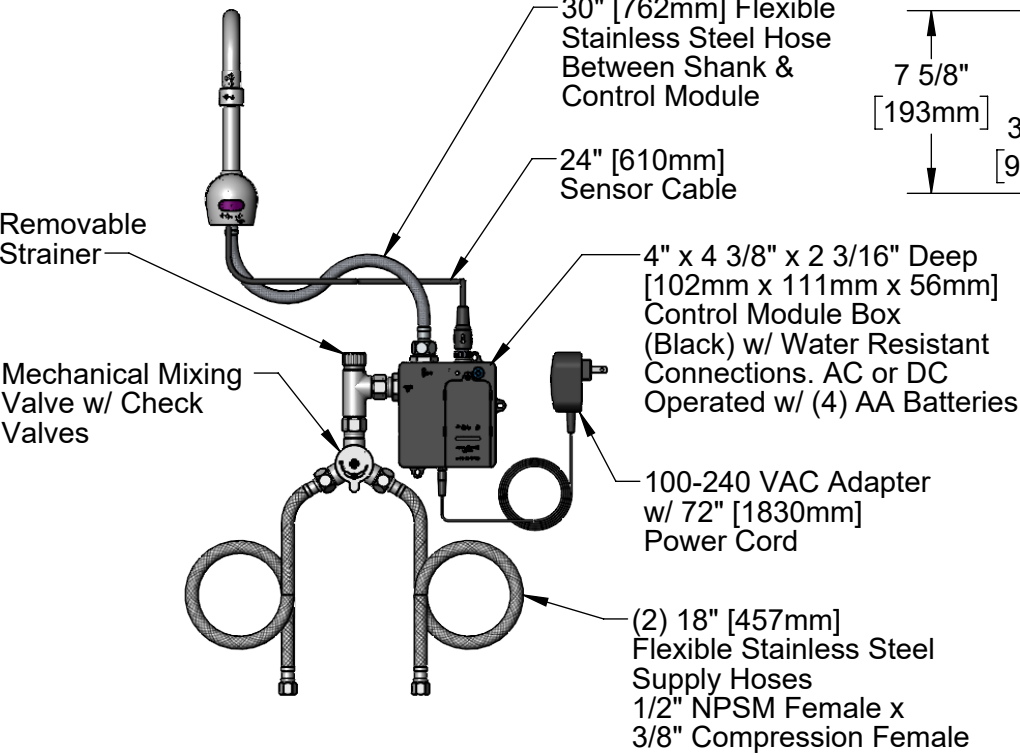


Rigid Gooseneck w/ 2.2 GPM [8.3 LPM] Vandal Resistant Aerator. Rigid Conversion Requires 017421-45 Lock washer (Included)



This Space for Architect/Engineer Approval

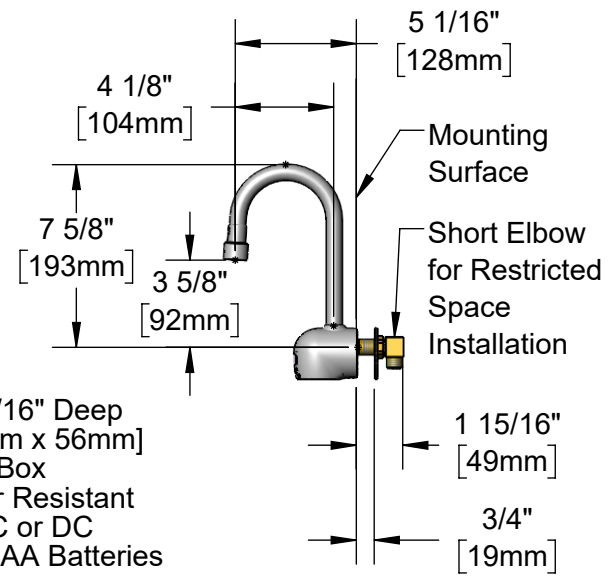
Job Name _____ Date _____

Model Specified _____ Quantity _____

Customer/Wholesaler _____

Contractor _____

Architect/Engineer _____



Rough-In Requirement:
 ϕ 1 1/8" [29mm] Mounting Hole

Model Number
5EF-1D-WGAT

Product Compliance:
 ASME A112.18.1 / CSA B125.1
 NSF 61 - Section 9
 NSF 372 (Low Lead Content)
 ANSI A117.1 (ADA)
 UL 1951

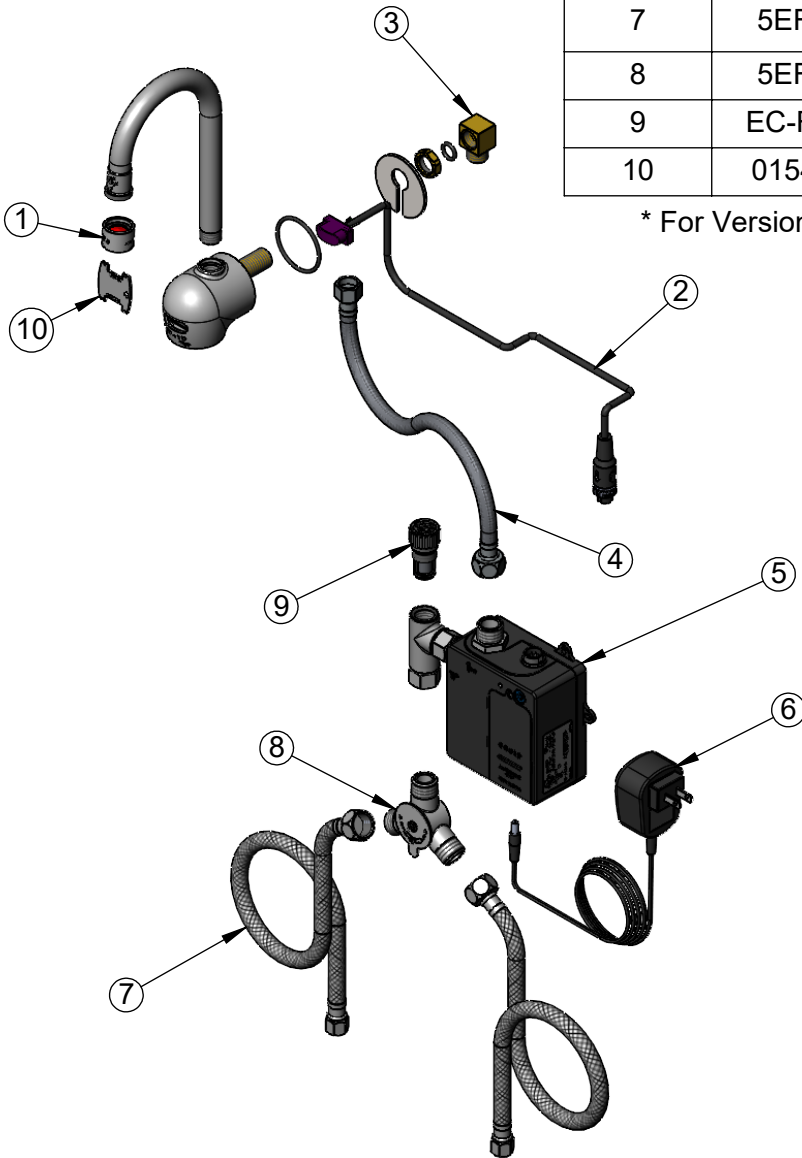
Product Specifications:
 Electronic Faucet: Wall Mount Rigid Gooseneck, 2.2 GPM VR Aerator, AC-DC Control Module, Temperature Control Mixing Valve, Check Valves & (2) 18" Flexible Supply Hoses

equip
 Foodservice
 Accessories

2 Saddleback Cove, P.O. Box 1088
 Travelers Rest, South Carolina 29690
 Phone: 800.891.4808 Fax: 800.868.0084
 equip.tsbrass.com

ITEM NO.	SALES NO.	DESCRIPTION
1	B-0199-06	VR 2.2 GPM Aerator, 55/64-27 Female
* 2	5EF-0004C	Sensor Cable w/ Curved Lens
3	015345-20	3/8-18 NPSM Low Profile Elbow
4	016325-45	Flex Connector, 3/8 NPSM x 1/2 NPSM
* 5	5EF-0001C	equip Control Module (Black)
* 6	5EF-0002C	AC Adapter - US Plug
7	5EF-0005	Supply Hose, 3/8" Compression x 1/2" NPSM
8	5EF-0006	Temperature Mixing Valve
9	EC-FILTER	Replacement Filter
10	015425-45	Vandal Resistant Key

* For Versions Prior to 2024, Consult with Customer Service



Model Number

5EF-1D-WGAT

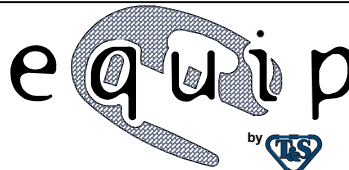
Product Specifications:

Electronic Faucet: Wall Mount Rigid Gooseneck, 2.2 GPM VR Aerator, AC-DC Control Module, Temperature Control Mixing Valve, Check Valves & (2) 18" Flexible Supply Hoses

Product Compliance:

ASME A112.18.1 / CSA B125.1
NSF 61 - Section 9
NSF 372 (Low Lead Content)
ANSI A117.1 (ADA)
UL 1951

equip
Foodservice
Accessories



2 Saddleback Cove, P.O. Box 1088
Travelers Rest, South Carolina 29690
Phone: 800.891.4808 Fax: 800.868.0084
equip.tsbrass.com