

This Space for Architect/Engineer Approval

Job Name _____ Date _____

Model Specified _____ Quantity _____

Customer/Wholesaler _____

Contractor _____

Architect/Engineer _____

Rough-In Requirement:
Ø 1 1/2" [Ø 38mm] Mounting Hole

Model Number
5PR-2S06

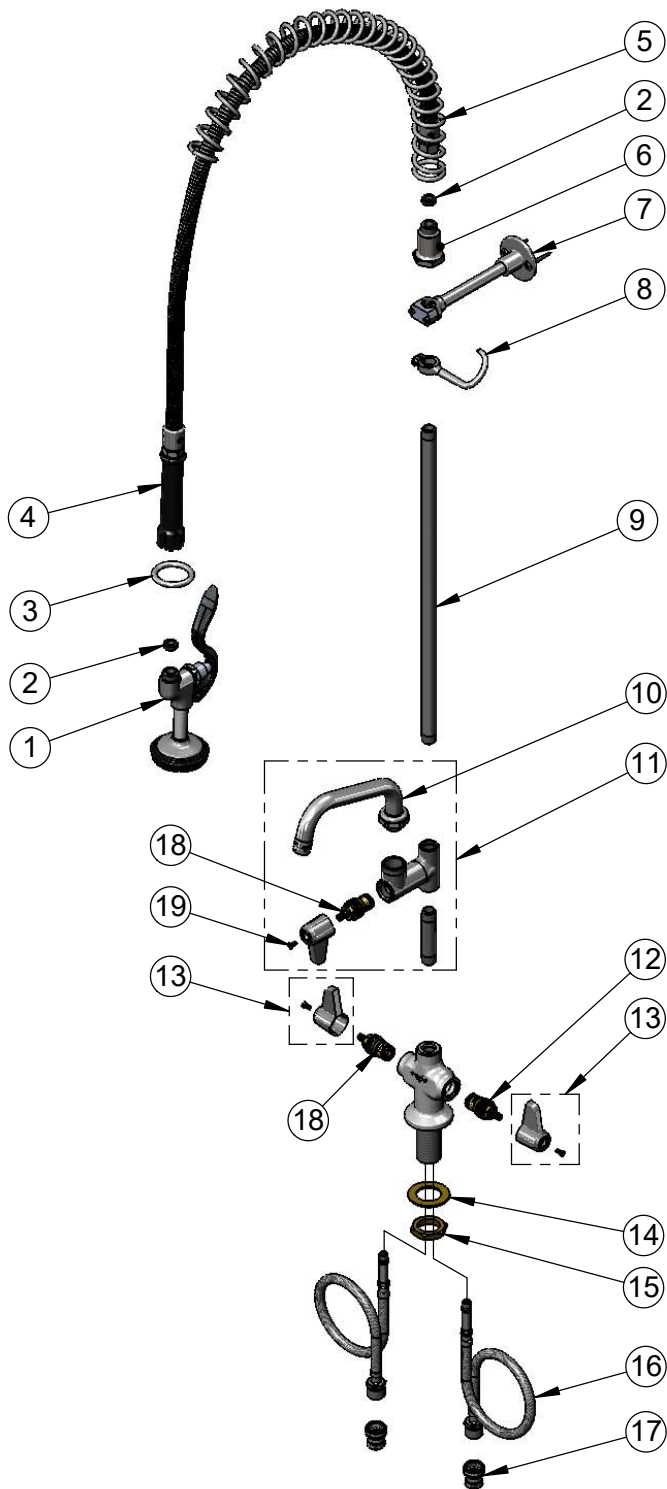
Product Compliance:
ASME A112.18.1 / CSA B125.1
NSF 61 - Section 9
NSF 372 (Low Lead Content)
2019 DOE PRSV - Class II

Product Specifications:
Pre-Rinse Unit: Single Hole Deck Mount Mixing Faucet, Quarter-Turn Ceramic Cartridges, Add-On Faucet w/ 6" Swing Nozzle, 6" Wall Bracket, 1.15 GPM Spray Valve, 1/2" BSPP In-Line Check Valves & Flexible Supply Hoses

equip
Foodservice
Accessories



2 Saddleback Cove, P.O. Box 1088
Travelers Rest, South Carolina 29690
Phone: 800.891.4808 Fax: 800.868.0084
equip.tsbrass.com



| ITEM NO. | SALES NO. | DESCRIPTION |
|----------|-----------|--|
| 1 | 5SV | 1.15 GPM equip Spray Valve |
| 2 | 010476-45 | #27 Washer |
| 3 | 000907-45 | Spray Valve Hold Down Ring |
| 4 | 5HSE44 | equip 44" Flexible Stainless Steel Hose w/ Black Handle & Washer |
| 5 | 014068-45 | Overhead Spring |
| 6 | 000821-40 | Spring Body |
| 7 | 013716-40 | 6" Wall Bracket |
| 8 | 004R | Finger Hook |
| 9 | 000369-40 | 3/8" NPT x 18" Riser |
| 10 | 5SP-06 | equip 6" Swing Nozzle |
| 11 | 5AFL06 | Add-On Faucet w/ 6" Swing Nozzle |
| 12 | 013788-45 | Equip Ceramic Cartridge, LTC |
| 13 | 5-HDL-L | equip Lever Handle w/ Color Coded Screws |
| 14 | 002290-45 | Lock Washer |
| 15 | 000965-45 | Lock Nut |
| 16 | 012534-45 | 18" Flexible Supply Hose (2) |
| 17 | 010321-45 | 1/2" BSPP In-Line Check Valve |
| 18 | 013787-45 | Equip Ceramic Cartridge, RTC |
| 19 | 013849-45 | Handle Screw (10) |

Model Number

5PR-2S06

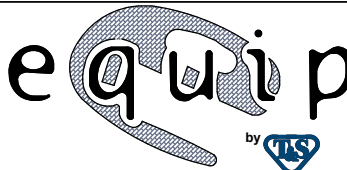
Product Specifications:

Pre-Rinse Unit: Single Hole Deck Mount Mixing Faucet, Quarter-Turn Ceramic Cartridges, Add-On Faucet w/ 6" Swing Nozzle, 6" Wall Bracket, 1.15 GPM Spray Valve, 1/2" BSPP In-Line Check Valves & Flexible Supply Hoses

Product Compliance:

ASME A112.18.1 / CSA B125.1
NSF 61 - Section 9
NSF 372 (Low Lead Content)
2019 DOE PRSV - Class II

equip
Foodservice
Accessories



2 Saddleback Cove, P.O. Box 1088
Travelers Rest, South Carolina 29690
Phone: 800.891.4808 Fax: 800.868.0084
equip.tsbrass.com