



**ADA Compliant**

*This Space for Architect/Engineer Approval*

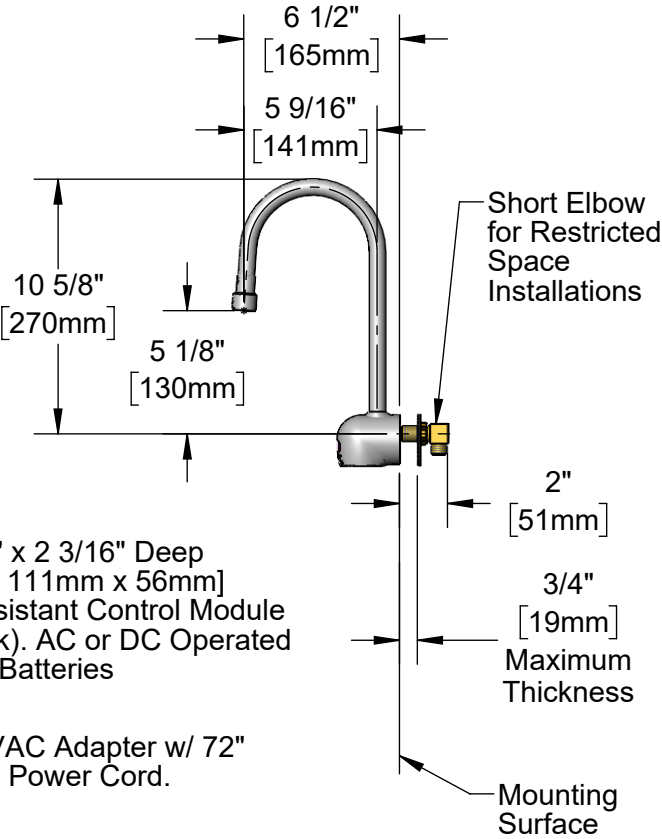
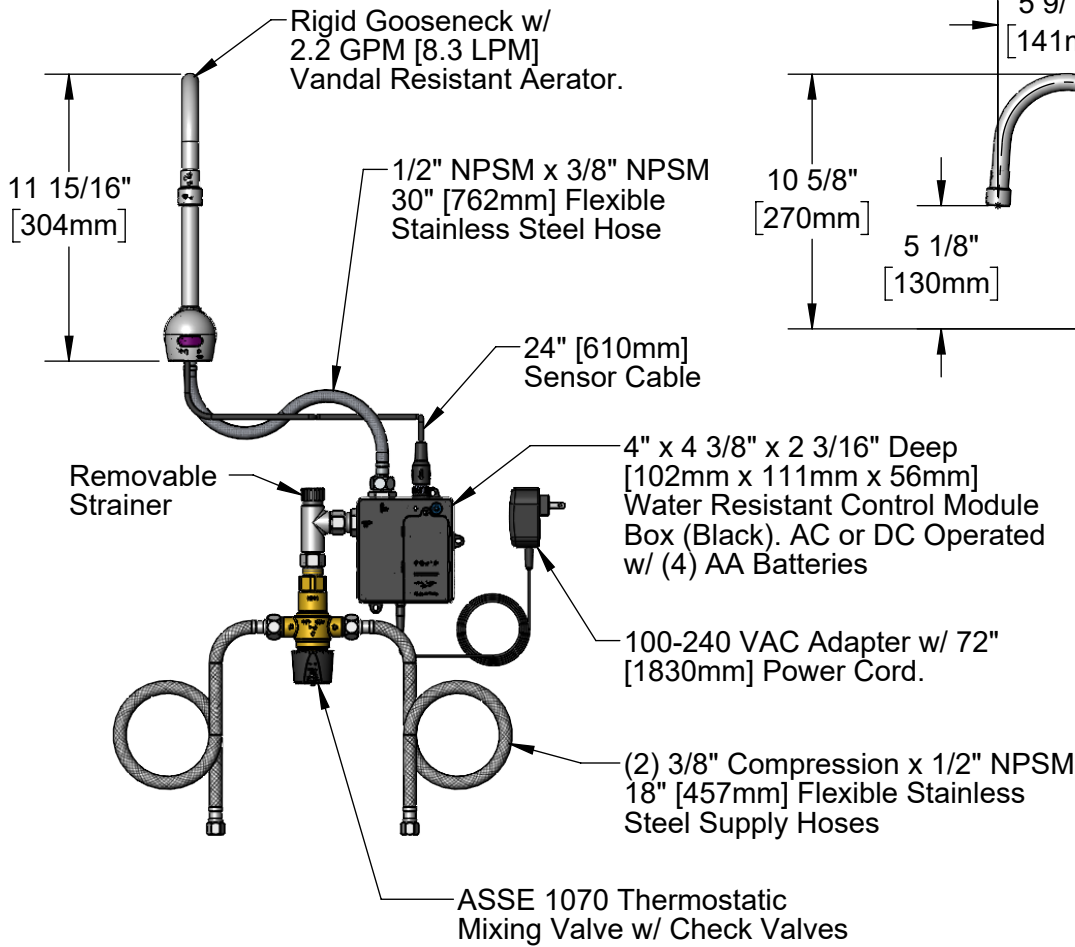
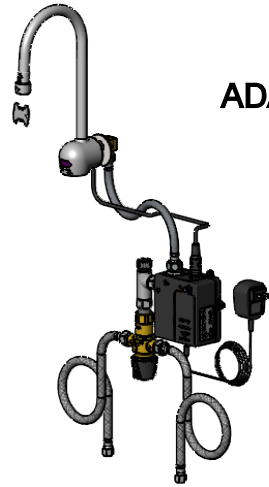
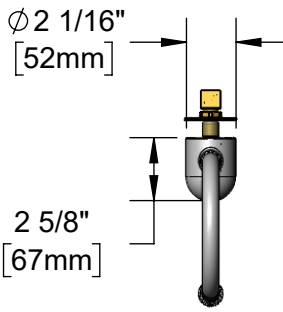
Job Name \_\_\_\_\_ Date \_\_\_\_\_

Model Specified \_\_\_\_\_ Quantity \_\_\_\_\_

Customer/Wholesaler \_\_\_\_\_

Contractor \_\_\_\_\_

Architect/Engineer \_\_\_\_\_



**Rough-In Requirement:**  
Ø 1 1/8" [29mm] Mounting Hole

Model Number

**5EF-1D-WG-TMV**

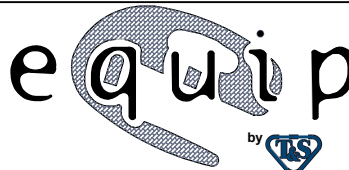
Product Specifications:

Electronic Faucet: Wall Mount Rigid Gooseneck w/ VR Aerator, AC-DC Control Module, Thermostatic Temperature Control Mixing Valve w/ Integral Check Valves & 18" Long Flexible Supply Stop Hoses

Product Compliance:

ASME A112.18.1 / CSA B125.1  
NSF 61 - Section 9  
NSF 372 (Low Lead Content)  
ANSI A117.1 (ADA)  
UL 1951  
ASSE 1070 (TMV)

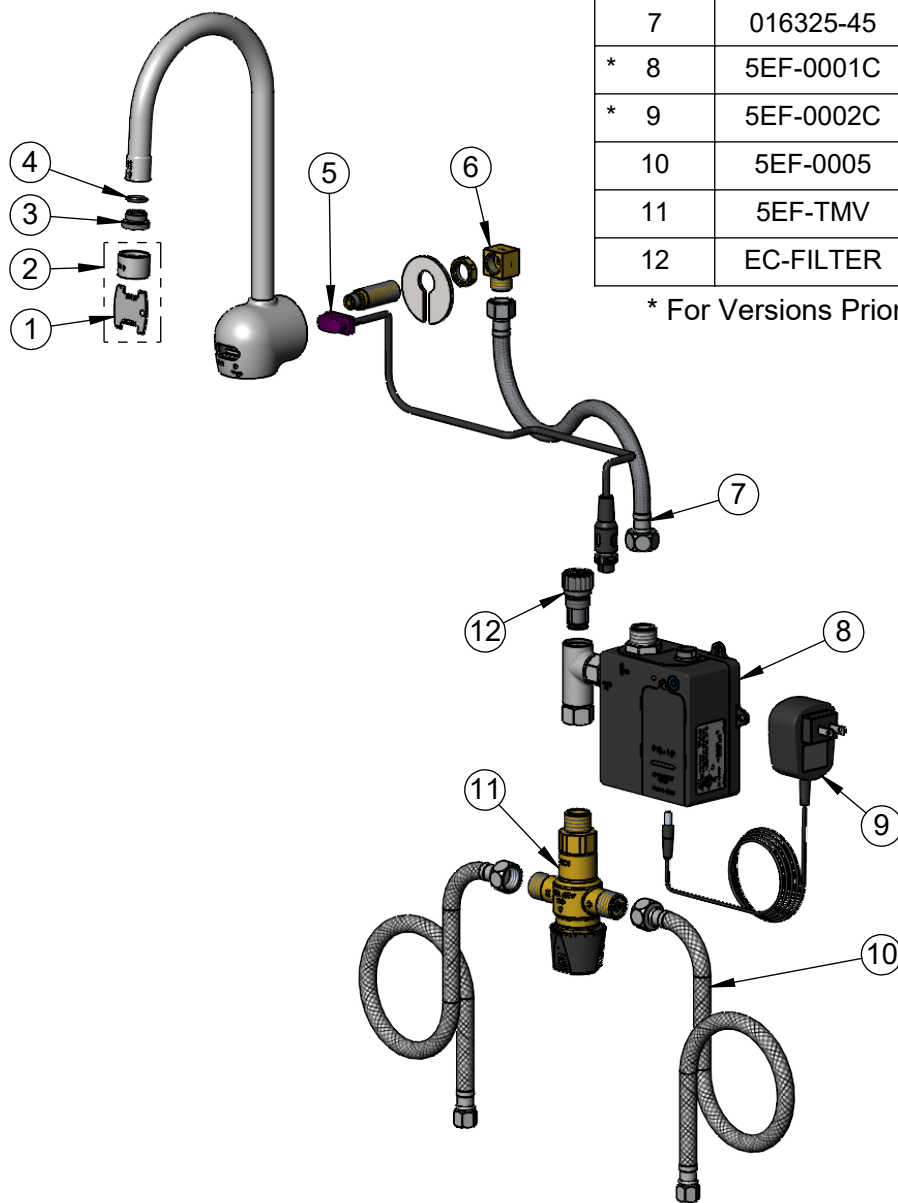
equip  
Foodservice  
Accessories



2 Saddleback Cove, P.O. Box 1088  
Travelers Rest, South Carolina 29690  
Phone: 800.891.4808 Fax: 800.868.0084  
equip.tsbrass.com

ITEM NO.	SALES NO.	DESCRIPTION
1	015425-45	Vandal Resistant Key
2	B-0199-06	VR 2.2 GPM Aerator, 55/64-27 Female
3	044A	3/8" to Aerator Adapter
4	006575-45	-015 O-Ring
* 5	5EF-0004C	Sensor Cable w/ Curved Lens
6	015345-20	Low Profile Elbow, 3/8 NPSM
7	016325-45	Flex Connector, 3/8 NPSM x 1/2 NPSM
* 8	5EF-0001C	equip Control Module (Black) w/ Filter Tee
* 9	5EF-0002C	AC Adapter - US Plug
10	5EF-0005	Supply Hose, 9/16-24 Female x 1/2" NPSM
11	5EF-TMV	ASSE 1070 Thermostatic Mixing Valve
12	EC-FILTER	Replacement Filter

\* For Versions Prior to 2024, Consult with Customer Service



Model Number  
**5EF-1D-WG-TMV**

Product Specifications:  
**Electronic Faucet: Wall Mount Rigid Gooseneck w/ VR Aerator, AC-DC Control Module, Thermostatic Temperature Control Mixing Valve w/ Integral Check Valves & 18" Long Flexible Supply Stop Hoses**

Product Compliance:  
ASME A112.18.1 / CSA B125.1  
NSF 61 - Section 9  
NSF 372 (Low Lead Content)  
ANSI A117.1 (ADA)  
UL 1951  
ASSE 1070 (TMV)

equip  
Foodservice  
Accessories



2 Saddleback Cove, P.O. Box 1088  
Travelers Rest, South Carolina 29690  
Phone: 800.891.4808 Fax: 800.868.0084  
equip.tsbrass.com