

EC-HYDROGEN and EC-HYDROGEN-LF Installation Instructions

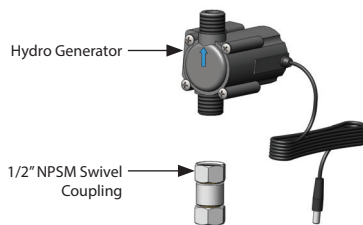
REQUIREMENTS:

EC-HYDROGEN is for applications with a flow rate range of 1.0 GPM min to 2.2 GPM.

EC-HYDROGEN-LF is for applications with a flow rate range of 0.5 GPM min to 1.0 GPM max.

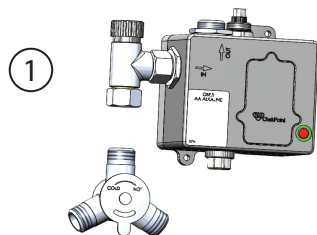
EC-HYDROGEN INSTALLATION:

For ChekPoint Models with Below Deck Temperature Mixing Valves

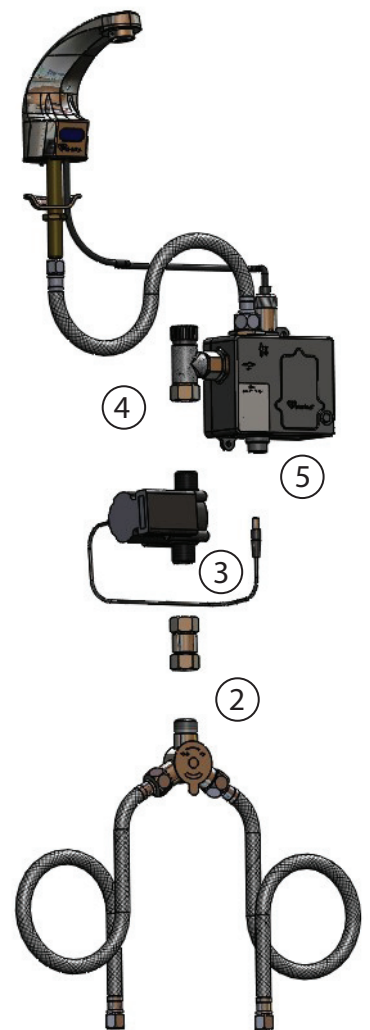
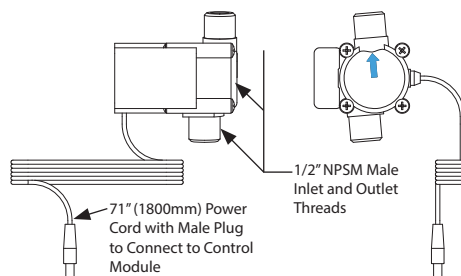


NOTE: If installing to an existing ChekPoint faucet which is in use, shut-off the water at the supply stops and unplug and disconnect the power supplies (the plug-in wall transformer) and disconnect any external power sources to the control module. The 4 AA batteries may be left installed if desired.

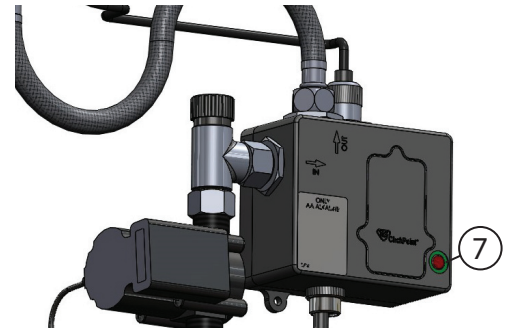
1. Disconnect the mixing valve from the fitting on the control module.



2. Install the 1/2 NPSM swivel coupling onto the outlet (top) of the mixing valve.
3. Install the Hydro Generator to the coupling making sure the blue arrow on the side of the unit is pointing up or toward the control module fitting.

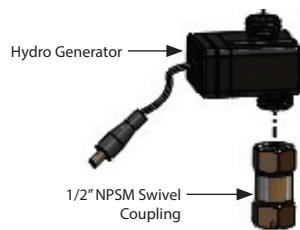


4. Install the outlet end of the Hydro Generator to the fitting on the control module.
5. Plug in the power cable for the Hydro Generator into the bottom of the controller (where the wall transformer previously plugged in).
6. Open the supply stops. The faucet should be ready for service.
7. The sensor distance may need to be readjusted on your ChekPoint unit should the range seem inadequate. See the following page for sensor range setup.



EC-HYDROGEN-LF INSTALLATION:

For ChekPoint Models with Below Deck Temperature Mixing Valves

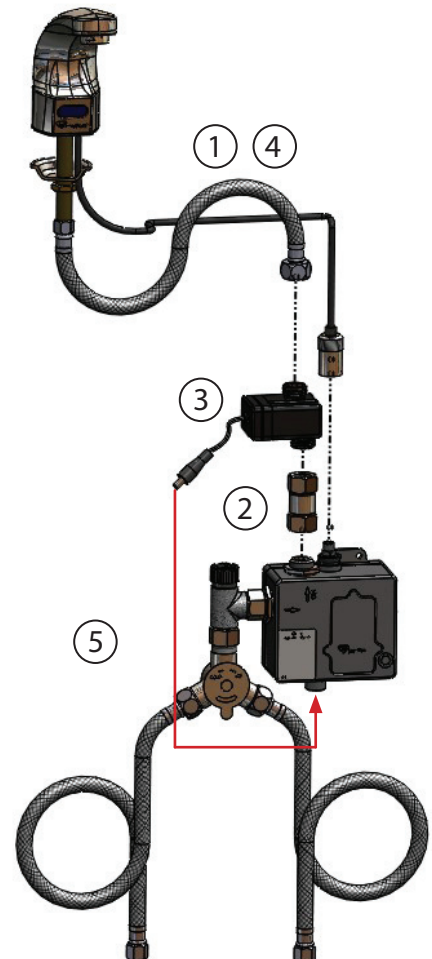


NOTE: If installing to an existing ChekPoint faucet which is in use, shut-off the water at the supply stops and unplug and disconnect the power supplies (the plug-in wall transformer) and disconnect any external power sources to the control module. The 4 AA batteries may be left installed if desired.

The preferred location for the EC-HYDROGEN-LF Hydro-Generator is between the control module and the faucet. It may be installed in the position shown for EC-HYDROGEN on the previous page if necessary.

A minimum of ten activations per day at 0.5 GPM min. and 20 PSI min. are required to maintain a proper charge in the EC-HYDROGEN-LF Hydro-Generator.

1. Disconnect the faucet inlet hose from the control module. (Disconnect the sensor cable from the control module if needed)
2. Install the 1/2 NPSM swivel coupling onto the outlet of the control module
3. Install the EC-HYDROGEN-LF Hydro-Generator to the coupling making sure the blue arrow on the side of the unit is pointing toward the faucet.
4. Install the faucet inlet hose to the outlet side of the Hydro-Generator (Reconnect the sensor cable if it was disconnected in step 1)
5. Plug in the power cable for the Hydro Generator into the bottom of the controller (where the wall transformer previously plugged in).
6. Open the supply stops. The faucet should be ready for service.
7. The sensor distance may need to be readjusted on your ChekPoint unit should the range seem inadequate. See next page for sensor range setup.



SENSOR RANGE SETUP:

For ChekPoint models with Grey Below Deck Control Modules

The sensor range is preset at the factory during assembly but can be further adjusted by using the steps below.

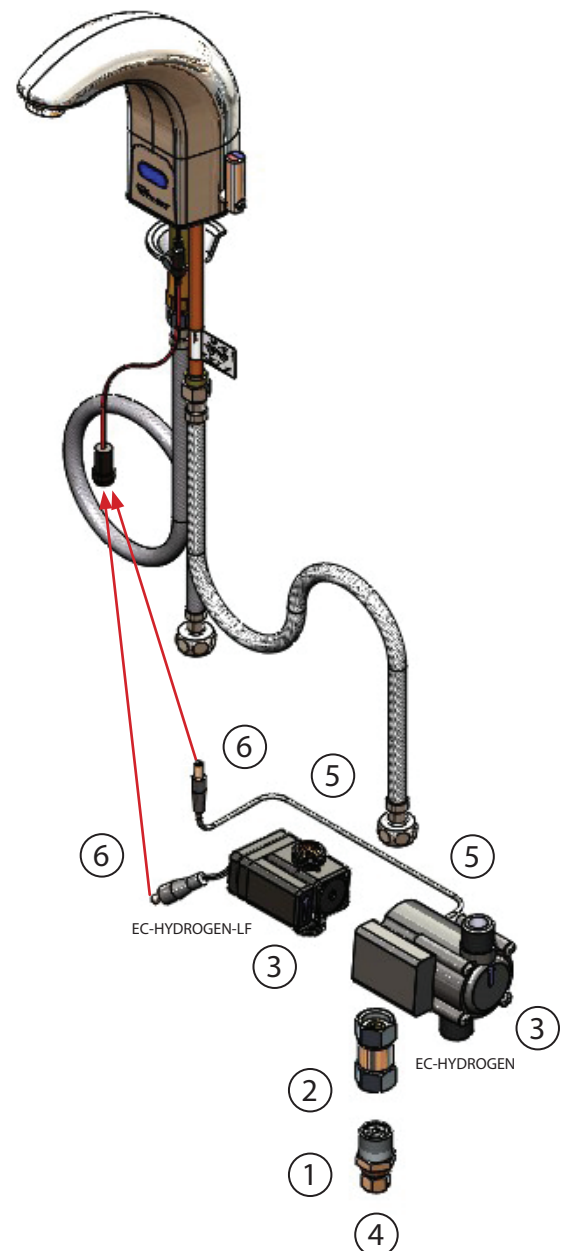
1. The sensing distance is adjustable from $\frac{3}{4}$ " (2cm) to 6 $\frac{11}{16}$ " (17cm). If there is a disruption in power, the sensor range is saved and will revert to the last setting when power is restored.
2. The faucet sensor range is set by simply using the on/off button on the front of the control module. Do not attempt to open the control module box.
3. Push and hold the on/off button; water will flow. After holding the button 5 to 7 seconds, the water flow will stop and the red LED in the sensor lens will turn on solid.
4. Release the on/off button. The red LED will turn off signaling that the sensor is ready for set-up for the next 15 seconds.
5. Hold your hand still in front of the sensor at the desired sensor distance. The red LED will flash roughly 5 times then remain on for 2 seconds indicating the new range has been set.
6. If step 5 is not done within 15 seconds, the red LED will blink quickly then stop indicating the sensor range has NOT been changed. Start over at step 3 to change the sensor range.

For ChekPoint Models with Above Deck Temperature Mixing Valves

EC-HYDROGEN and EC-HYDROGEN-LF Installation:

Note: If installing to an existing ChekPoint faucet which is in use, shut off the water at the supply stops and unplug and disconnect the plug-in wall transformer if in use. The batteries located within the body may be left installed if desired. (See the applicable ChekPoint faucet manual for instructions on accessing the batteries.)

1. Disconnect the faucet cold water flexible supply line from the check valve adapter. The check valve adapter can stay connected to the cold water supply stop if already connected.
2. Connect the check valve adapter to the $\frac{1}{2}$ " NPSM swivel coupling supplied with the Hydro Generator.
3. Connect the other end of the $\frac{1}{2}$ " NPSM swivel coupling to the inlet on the bottom of the Hydro Generator. Note the blue flow direction arrow on the side of the Hydro Generator.
4. Connect the check valve adapter swivel end to the cold water supply stop if not already connected from step 1.
5. Connect the outlet on top of the Hydro Generator to the faucet cold water flexible supply line.
6. Connect the power cable from the Hydro Generator to the wire connector coming from the faucet bottom (wire may be wound and tucked into the opening in the faucet bottom).
7. Should the ChekPoint faucet sensor range need adjustment, refer to the applicable ChekPoint faucet manual for instructions.



Limited Three Year Warranty

T&S warrants to the original purchaser (other than for purposes of resale) that such product is free from defects in material and workmanship for a period of three (3) years from the date of purchase. During this three-year warranty period, if the product is found to be defective, T&S shall, at its options, repair and/or replace it. To obtain warranty service, products must be returned to...


*T&S Brass and Bronze Works, Inc.
Attn: Warranty Repair Department
2 Saddleback Cove
Travelers Rest, SC 29690*

Shipping, freight, insurance, and other transportation charges of the product to T&S and the return of repaired or replaced product to the purchaser are the responsibility of the purchaser. Repair and/or replacement shall be made within a reasonable time after receipt by T&S of the returned product. This warranty does not cover Items which have received secondary finishing or have been altered or modified after purchase, or for defects caused by physical abuse to or misuse of the product, or shipment of the products.

Any express warranty not provided herein, and any remedy for Breach of Contract which might arise, is hereby excluded and disclaimed. Any implied warranties of merchantability or fitness for a particular purpose are limited to three years in duration. Under no circumstances shall T&S be liable for loss of use or any special consequential costs, expenses or damages.

Some states do not allow limitations on how long and implied warranty lasts or the exclusion or limitation of incidental or consequential damages, so the above limitations or exclusions may not apply to you. Specific rights under this warranty and other rights vary from state to state.

Attention California Residents:

 **WARNING** This product can expose you to chemicals including Lead, Chromium (hexavalent compounds) and Phthalates (DEHP) which are known to the State of California to cause cancer and birth defects or other reproductive harm.
For more information go to
www.P65Warnings.ca.gov

T&S Brass and Bronze Works, Inc. · 2 Saddleback Cove · P.O. Box 1088 · Travelers Rest, SC 29690
www.tsbrass.com · E-mail: tsbrass@tsbrass.com · Phone (800) 476-4103 · Fax (800) 868-0084

West Coast Sales and Distribution · 4596 Ish Drive · Unit 220
Simi Valley, CA 93063 · Phone (800) 423-0150

098-017579-45 Rev. 4
Drawn TED 12-20-18
Checked DMH 12-27-18
Approved JHB 01-15-19