



T&S BRASS AND BRONZE WORKS, INC.

2 Saddleback Cove / P.O. Box 1088
Travelers Rest, SC 29690

Model No.

B-1225

Item No.

Travelers Rest, SC: 800-476-4103 • Simi Valley, CA: 800-423-0150 • Fax: 864-834-3518 • www.tsbrass.com



ADA Compliant



Quarter-Turn Eterna Cartridge w/ Spring Check & 4-Arm Handle w/ Color Coded Index (For Water Flow to Swing Nozzle)

This Space for Architect/Engineer Approval

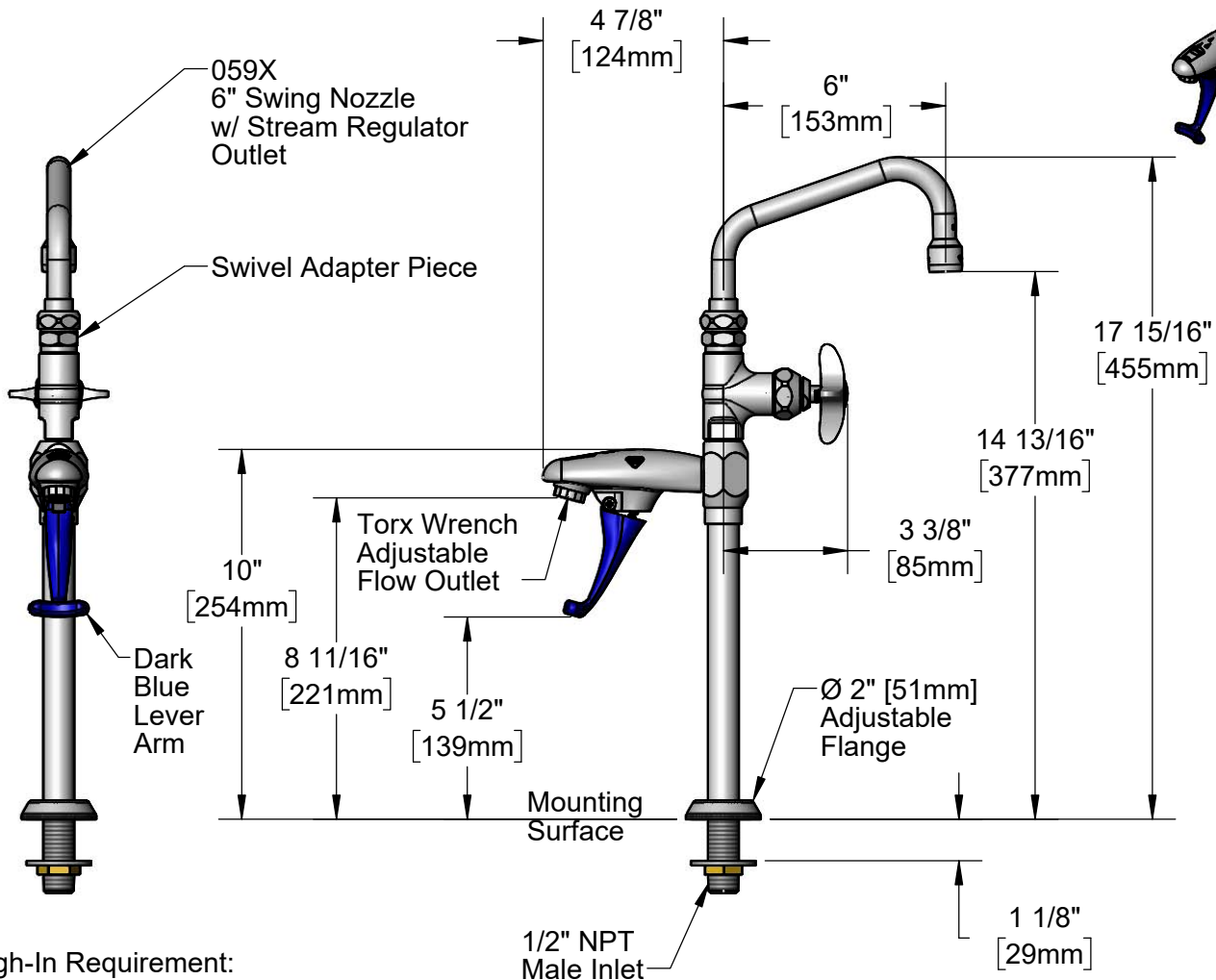
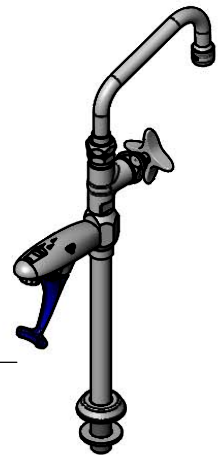
Job Name _____ Date _____

Model Specified _____ Quantity _____

Customer/Wholesaler _____

Contractor _____

Architect/Engineer _____



Rough-In Requirement:
Ø 1" [25mm] Mounting Hole

Product Specifications:

Combination 8 11/16" Clearance Glass & Pitcher Filler, Push Back Design, 6" Swing Nozzle, Independent Operation & 1/2" NPT Male Inlet

Product Compliance:

ASME A112.18.1 / CSA B125.1
NSF 61 - Section 9
NSF 372 (Low Lead Content)
ANSI A117.1 (ADA)

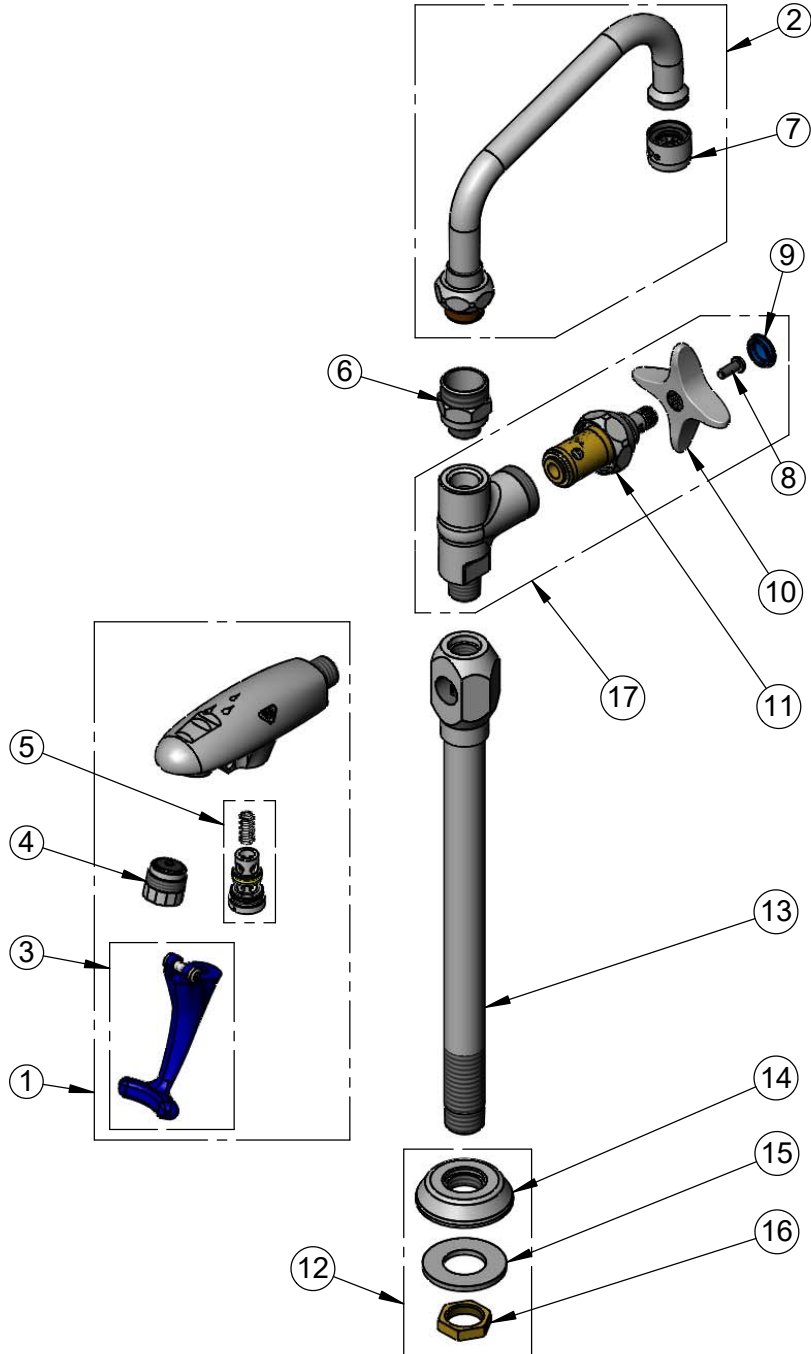


T&S BRASS AND BRONZE WORKS, INC.
 2 Saddleback Cove / P.O. Box 1088
 Travelers Rest, SC 29690

Model No.
B-1225

Item No.

Travelers Rest, SC: 800-476-4103 • Simi Valley, CA: 800-423-0150 • Fax: 864-834-3518 • www.tsbrass.com



| ITEM NO. | SALES NO. | DESCRIPTION |
|----------|-------------|---|
| 1 | B-1205 | Wall Mount Glass Filler, 3/8" NPT |
| 2 | 059X | 6" Swing Nozzle |
| 3 | 015550-45 | Lever Arm Repair Kit |
| 4 | 015588-40 | Adjustable Outlet w/ Torx Wrench |
| 5 | 015589-40 | Valve |
| 6 | B-0412 | Rigid to Swivel Adapter |
| 7 | B-PT | Full Flow Stream Regulator, 55/64-27 |
| 8 | 000925-45 | Lab Handle Screw |
| 9 | 018506-19NS | Blue Button Index, Press-in |
| 10 | 002521-45NS | 4-Arm Handle (New Style) |
| 11 | 012443-40NS | Quarter-Turn Eterna Cartridge w/ Spring Check, RTC |
| 12 | 016783-40 | Adjustable Deck Flange |
| 13 | 000743-40 | B-1225 Soldered Pedestal |
| 14 | 000024-40 | Glass Filler, Deck Mount, Pedestal Flange |
| 15 | 001033-45 | Glass Filler Pedestal, Deck Mount, Delrin Washer |
| 16 | 002954-45 | Shank Lock Nut |
| 17 | 007010-40NS | Straight Stop w/ Quarter-Turn Eterna Cartridge w/ Spring Check, 4-Arm Handle & Blue Index |



016640-45
 T-45 Torx
 Wrench

Product Specifications:
 Combination 8 11/16" Clearance Glass & Pitcher Filler, Push Back Design,
 6" Swing Nozzle, Independent Operation & 1/2" NPT Male Inlet

Product Compliance:
 ASME A112.18.1 / CSA B125.1
 NSF 61 - Section 9
 NSF 372 (Low Lead Content)
 ANSI A117.1 (ADA)