



Washdown Stations

MV-0771-12N-BVT

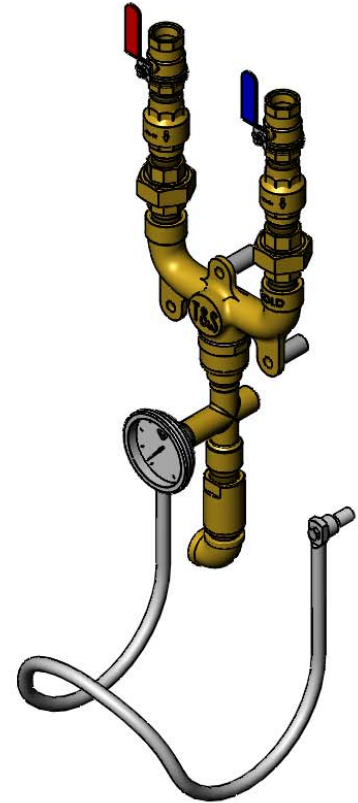
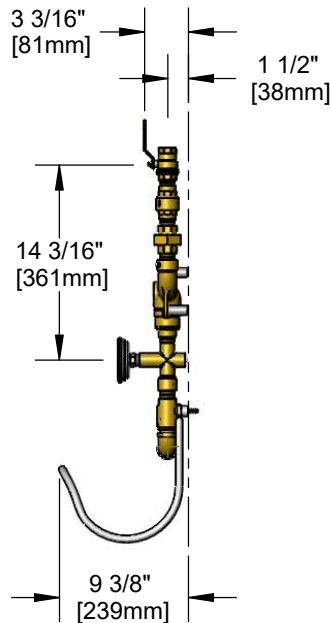
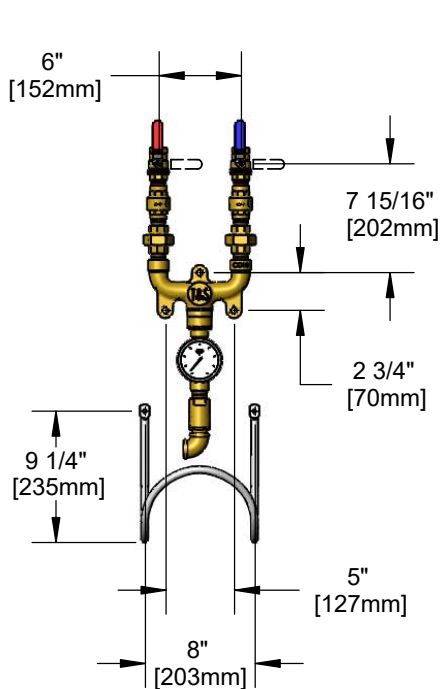
TAG:

Mixing Valve

Architect/Engineering Specifications:

Washdown station w/ 3/4" brass mixing valve, ball valves, check valves, thermometer, hose swivel & hose rack.

Job Name _____
 Model Specified _____ Quantity _____
 Variations Specified _____
 Date _____



Features & Benefits:

- 3/4" ball valves w/ color coded handles
- 3/4" check valves to prevent cross flow of water
- Brass thermometer tee
- Stainless steel thermometer, temperature range 0 °F - 200 °F
- 3/4" hose swivel
- Stainless steel hose rack w/ mounting hardware
- Material: Brass tee, stainless steel thermometer

Product Compliance:

- NSF 61 Exempt (Non-Potable)

Warranty: One Year (Limited)

Performance Data:

- Pressure: 20 - 125 psi [1.38 - 8.62 bar]
- Temperature: 40 °F - 200 °F [4.44 °C - 93.3 °C]
- Flow Rate: 49.93 GPM [189.0 L/min] @ 60 psi [4.14 bar]

(Outlet Device &/or Final Configuration May Reduce Flow Rate)



T&S BRASS AND BRONZE WORKS, INC.



• 2 Saddleback Cove • Travelers Rest, SC 29690
 Ph 800-476-4103 • Fax 864-834-3518
 • Simi Valley, CA • Ph 800-423-0150 • www.tsbrass.com

Date: 09/15/21