



T&S BRASS AND BRONZE WORKS, INC.

2 Saddleback Cove / P.O. Box 1088
Travelers Rest, SC 29690

Model No.

B-0719-CR-VRS

Item No.

Travelers Rest, SC: 800-476-4103 • Simi Valley, CA: 800-423-0150 • Fax: 864-834-3518 • www.tsbrass.com



ADA Compliant

This Space for Architect/Engineer Approval

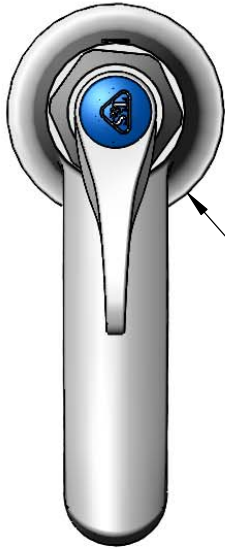
Job Name _____ Date _____

Model Specified _____ Quantity _____

Customer/Wholesaler _____

Contractor _____

Architect/Engineer _____



Ø 2 1/4"
[57mm]
Base



Quarter-Turn
Cerama Cartridge w/
Check Valve &
Lever Handle w/
Blue Color Coded Index
& VR Screw

B-0199-08
2.2 GPM
VR Aerator

1 5/16"
[34mm]

Mounting
Surface

2 5/16"
[59mm]

1/2" NPSM
Male Inlet

2 5/16"
[59mm]

4 3/8"
[112mm]

4 1/16"
[103mm]

3/4"
[19mm]
Maximum
Thickness

150A
Optional Tailpiece & Nut
For 1/4" NPT Connection
(Included)

Rough-In Requirement:
Ø 1 1/8" [29mm] Mounting Hole

Product Specifications:

Single Hole Single Temperature Deck Mount Basin Faucet, Quarter-Turn Cerama Cartridge, Lever Handle, VR Screw, VR 2.2 GPM Aerator & 1/2" NPSM Male Inlet

Product Compliance:

ASME A112.18.1 / CSA B125.1
NSF 61 - Section 9
NSF 372 (Low Lead Content)
ANSI A117.1 (ADA)

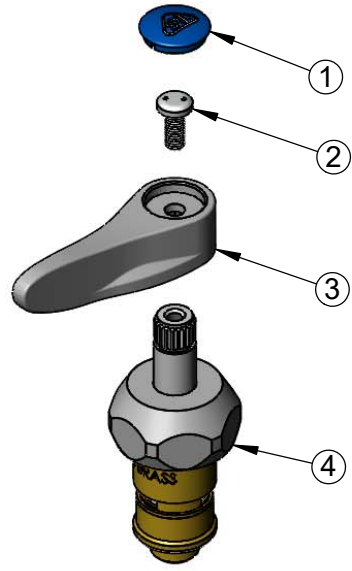


T&S BRASS AND BRONZE WORKS, INC.
 2 Saddleback Cove / P.O. Box 1088
 Travelers Rest, SC 29690

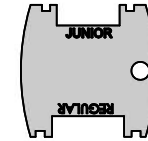
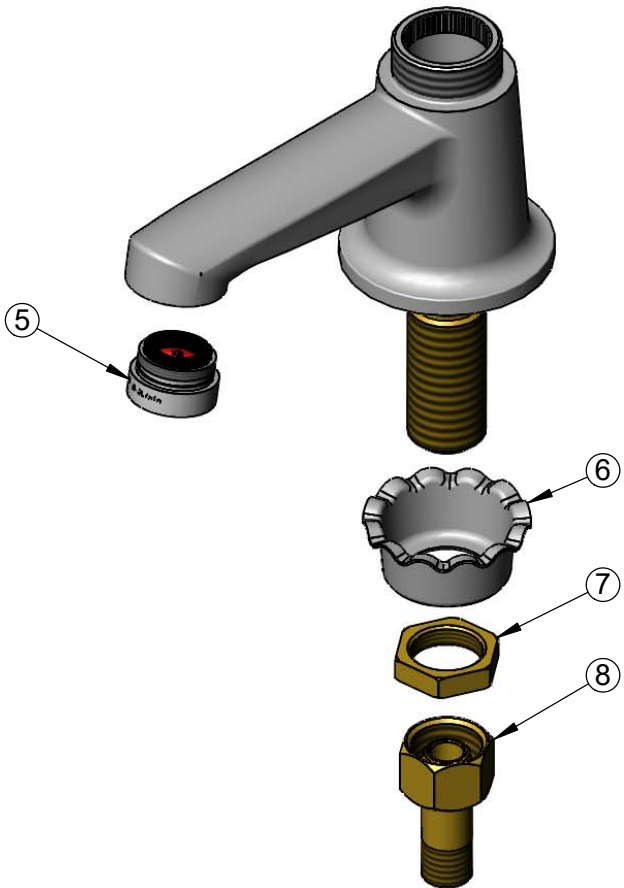
Model No.
B-0719-CR-VRS

Item No.

Travelers Rest, SC: 800-476-4103 • Simi Valley, CA: 800-423-0150 • Fax: 864-834-3518 • www.tsbrass.com



ITEM NO.	SALES NO.	DESCRIPTION
1	018506-19NS	Blue Button Index, Press-in
2	VRS-2	VR Wrist Action Handle Screw (2) w/ Spanner Bit
3	001638-45NS	Lever Handle (New Style)
4	012394-25NS	Quarter-Turn Cerama Cartridge w/ Check Valve, RTC
5	B-0199-08	VR 2.2 GPM Aerator, 13/16-27 UN Male w/ Key
6	001000-45	Rosette Washer
7	002954-45	Shank Lock Nut
8	150A	1/4" NPT Tailpiece & Nut
28	011310-45	Check Valve



015425-45
 Vandal Resistant Key



014075-45
 #10 Spanner Bit

Product Specifications:
 Single Hole Single Temperature Deck Mount Basin Faucet, Quarter-Turn Cerama Cartridge, Lever Handle, VR Screw, VR 2.2 GPM Aerator & 1/2" NPSM Male Inlet

Product Compliance:
 ASME A112.18.1 / CSA B125.1
 NSF 61 - Section 9
 NSF 372 (Low Lead Content)
 ANSI A117.1 (ADA)