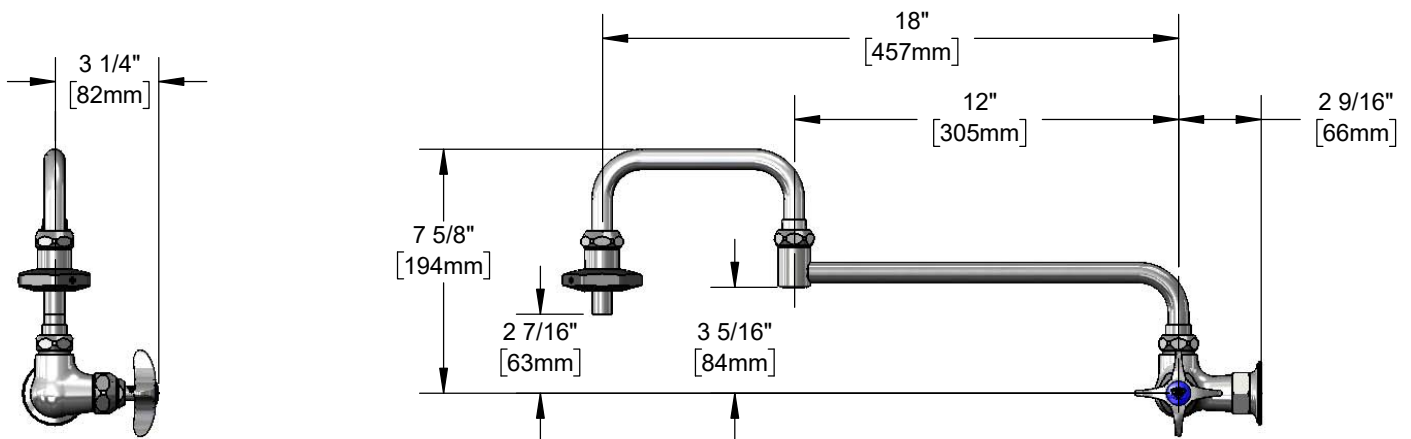




Architect/Engineering Specifications:

Single temperature wall mounted pot filler faucet with polished chrome plated brass body, 18" double joint swing nozzle with heat resistant handle and 2.2 GPM flow control disc, compression cartridge with spring check, 4-arm handle and 1/2" NPT female inlet. Certified to ASME A112.18.1/CSA B125.1, NSF 61-Section 9 and NSF 372.

Job Name _____
 Model Specified _____ Quantity _____
 Variations Specified _____
 Date _____



Features & Benefits:

- Single temperature wall mounted pot filler faucet
- 18" double joint swing nozzle
- Lock washer provided for rigid application
- 2.0 GPM flow control
- On-off volume control outlet with insulated grip
- Quarter-turn Eterna compression cartridge w/ spring check
- 4-arm handle with blue index
- 1/2" NPT female inlet with $\phi 2"$ wall flange
- Material: Polished chrome plated brass body & tubular nozzle and heat resistant thermoplastic handle

Product Compliance:

- ASME A112.18.1 / CSA B125.1
- NSF 61 - Section 9
- NSF 372 (Low Lead Content)



Warranty: One Year (Limited)

Performance Data:

- Pressure: 20 - 125 psi
- Temperature: 40 °F - 140 °F
- Flow Rate: 2.2 GPM @ 60 psi

Optional Handles

- 4" Wrist Action
- Lever
- 4-Arm (Standard)

Optional Cartridges With Checks

- Quarter-Turn Cerama w/ Check Valve
- Quarter-Turn Eterna w/ Spring Check (Standard)

