



T&S BRASS AND BRONZE WORKS, INC.
 2 Saddleback Cove / P.O. Box 1088
 Travelers Rest, SC 29690

Model No.
B-0512-0101

Item No.

Travelers Rest, SC: 800-476-4103 • Simi Valley, CA: 800-423-0150 • Fax: 864-834-3518 • www.tsbrass.com

This Space for Architect/Engineer Approval

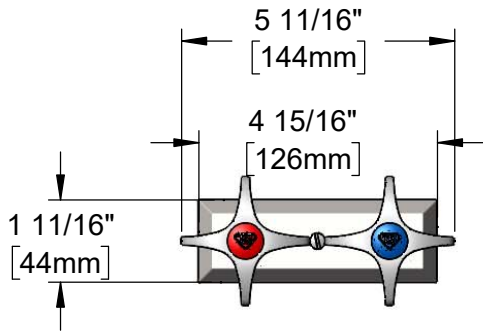
Job Name _____ Date _____

Model Specified _____ Quantity _____

Customer/Wholesaler _____

Contractor _____

Architect/Engineer _____



Spray Valve w/
 2.2 GPM
 Rosespray Outlet

Quarter-Turn
 Eterna Cartridges w/
 Spring Checks &
 4-Arm Handles w/
 Color Coded Indexes

B-KG
 Protective Flange

Mounting
 Surface

3/4"
 [19mm]

Items Not Shown
 for Clarity

B-0512
 Mixing Faucet

3/8" NPT
 Close
 Nipple

B-0970-FE
 Vacuum Breaker

053A
 Adapter

Ø 1 3/4"
 [44mm]

Apply Loctite
 680 on Pipe
 Threads
 (Included)

3/16"
 [5mm]
 Maximum
 Thickness

013E-72H
 72" Flexible Stainless Steel
 Hose w/ Polyurethane
 Inner Hose

Note: Direction of Arrow on
 Vacuum Breaker Before
 Installation with Loctite

Rough-In Requirement:

- (2) Ø 1 9/16" [40mm] Faucet Mounting Holes
- Ø 1 9/16" [40mm] for B-KG Protective Flange
- Ø 1/4" [6mm] Center Mounting Screw

Product Specifications:

3" Concealed Mixing Faucet w/ 4-Arm Handles, Vacuum Breaker, Protective Flange, 72" Flexible Stainless Steel Hose & Spray Valve w/ 2.2 GPM Rosespray Outlet w/ Multi-Laminar (Non-Aerated) Spray Pattern

Product Compliance:

ASME A112.18.1 / CSA B125.1
 NSF 61 - Section 9
 NSF 372 (Low Lead Content)
 CSA B64.8 (VB)



T&S BRASS AND BRONZE WORKS, INC.

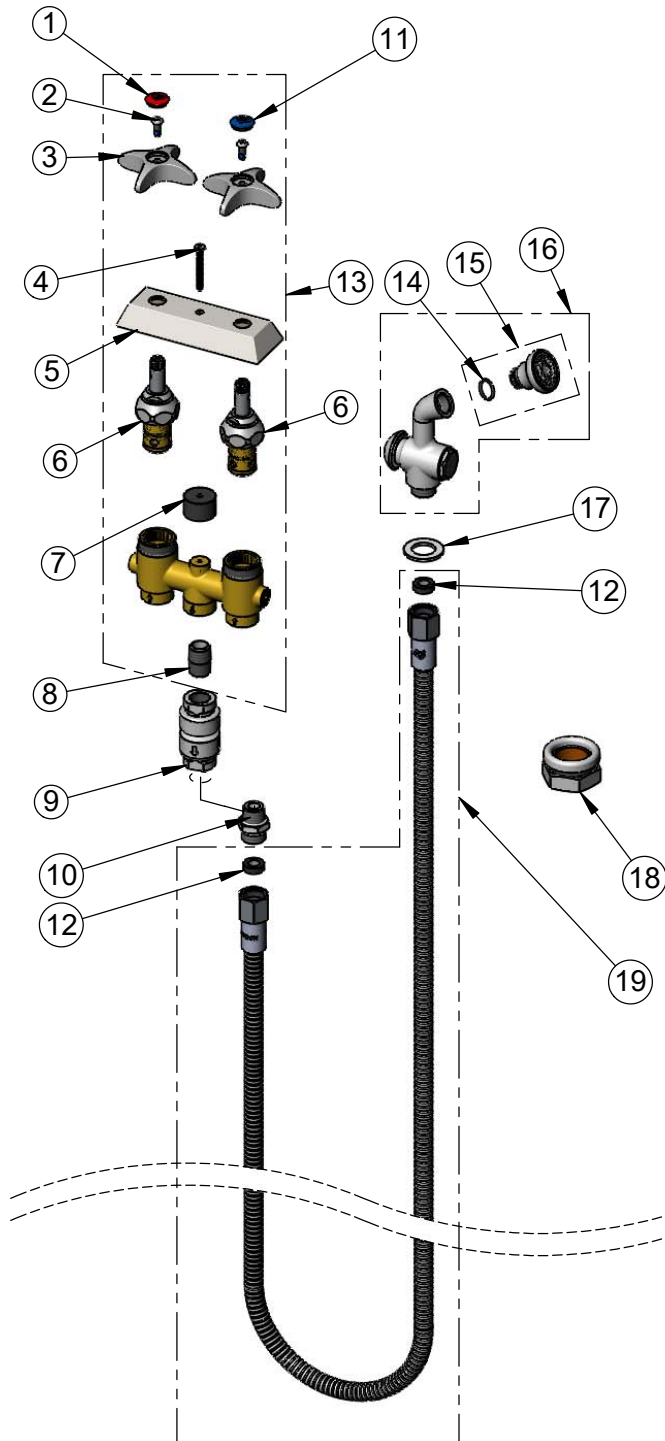
2 Saddleback Cove / P.O. Box 1088
Travelers Rest, SC 29690

Model No.

B-0512-0101

Item No.

Travelers Rest, SC: 800-476-4103 • Simi Valley, CA: 800-423-0150 • Fax: 864-834-3518 • www.tsbrass.com



ITEM NO.	SALES NO.	DESCRIPTION
1	001193-19NS	Red Button Index, Press-in
2	000925-45	Lab Handle Screw
3	002521-45NS	4-Arm Handle (New Style)
4	002819-45	Screw
5	000020-40	Escutcheon
6	006020-40NS	Quarter-Turn Long Spindle Eterna Cartridge w/ Spring Check, RTC
7	015986-45	Spacer
8	002535-25	3/8" Close Nipple
9	B-0970-FE	Dual Check Valve Vacuum Breaker
10	053A	Adapter, 3/8" NPT x 3/4-14UN
11	018506-19NS	Blue Button Index, Press-in
12	010476-45	#27 Washer
13	B-0512	Concealed Mixing Faucet
14	006575-45	-015 O-Ring
15	B-0103	2.2 GPM Rosespray, 3/8-18 NPT Male
16	002857-40	Spray Valve w/ 2.2 GPM Rosespray Outlet
17	001010-40	Washer, Stainless Steel
18	B-KG	Protective Flange
19	013E-72H	72" Flexible Stainless Steel Hose

Product Specifications:

3" Concealed Mixing Faucet w/ 4-Arm Handles, Vacuum Breaker, Protective Flange, 72" Flexible Stainless Steel Hose & Spray Valve w/ 2.2 GPM Rosespray Outlet w/ Multi-Laminar (Non-Aerated) Spray Pattern

Product Compliance:

ASME A112.18.1 / CSA B125.1
NSF 61 - Section 9
NSF 372 (Low Lead Content)
CSA B64.8 (VB)