



Gas Appliance Connectors
AG-8D-MF

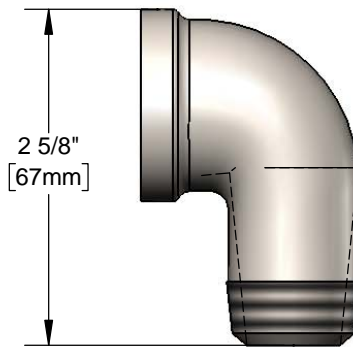
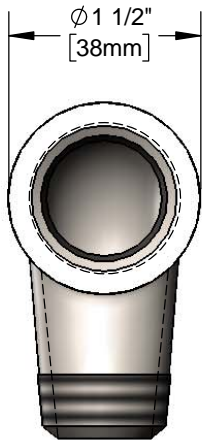
TAG:

3/4" NPT Male Elbow

Architect/Engineering Specifications:

Gas street male elbow, 3/4" NPT female inlet and male outlet.

Job Name _____
 Model Specified _____ Quantity _____
 Variations Specified _____
 Date _____



Features & Benefits:

- Gas street male elbow
- 3/4" NPT female inlet
- 3/4" NPT male outlet
- Provides efficient, full gas flow
- Material: Plated metal

Product Compliance:

- NFPA 54



Warranty: Five Year (Limited)

Performance Data:

- Pressure: 0.5 psi max
- Temperature: 32 °F to 125 °F



T&S BRASS AND BRONZE WORKS, INC.



• 2 Saddleback Cove • Travelers Rest, SC 29690
 Ph 800-476-4103 • Fax 864-834-3518
 • Simi Valley, CA • Ph 800-423-0150 • www.tsbrass.com

Date: 05/05/17