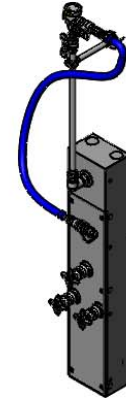
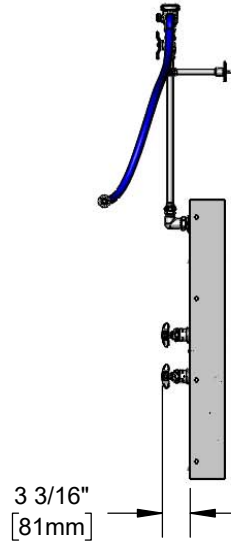
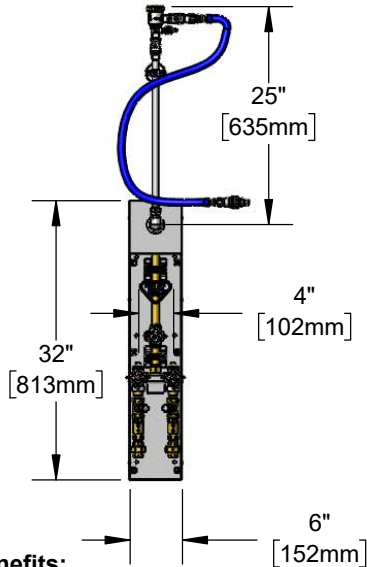




Architect/Engineering Specifications:

Hose reel surface mount cabinet, concealed bypass mixing valve, compression cartridges with spring checks, straight loose-key supply stops, 1/2" NPT female union inlets, control valve with compression cartridges, 1/2" NPT riser, check valves, swivel elbow with 1/2" NPT female inlet for bottom inlets, 3/8" NPT x 18" riser, 6" wall bracket, continuous pressure vacuum breaker with integral check valve & 36" flexible water hose with stainless steel quick disconnect and 3/8" NPT male outlet. Certified to ASSE 1056.

Job Name _____
 Model Specified _____ Quantity _____
 Variations Specified _____
 Date _____



Features & Benefits:

- EasyInstall hose surface mount reel cabinet with concealed bypass mixing valve
- Quarter-turn Eterna compression cartridges w/ spring checks
- Straight loose-key supply stops
- 1/2" NPT female union inlets for bottom inlets
- Control valve w/ quarter-turn Eterna compression cartridges w/ spring check
- 1/2" NPT riser
- 1/2" in-line check valves
- 1/2" NPT inlet swivel elbow and flange
- EasyInstall 3/8" NPT x 18" riser
- 6" wall bracket
- Continuous pressure vacuum breaker w/ integral check valve
- 36" flexible water hose connector with stainless steel quick disconnect & 3/8" NPT male outlet
- Material: Stainless steel cabinet, chrome plated brass elbow, riser & vacuum breaker, brass control valves & riser and chrome plated metal handles

Product Compliance:

- NSF 61 Exempt (Non-Potable)
- ASSE 1056 (VB)

Warranty: One Year (Limited)

Performance Data:

- Pressure: 20 - 125 psi [1.38 - 8.62 bar]
- Temperature: 40 °F - 140 °F [4.44 °C - 60 °C]
- Flow Rate: 4.0 GPM [15.14 L/min] @ 60 psi [4.14 bar]

Optional Cartridges With Checks

- Quarter-Turn Cerama w/ Check Valve
- Quarter-Turn Eterna w/ Spring Check (Standard)

