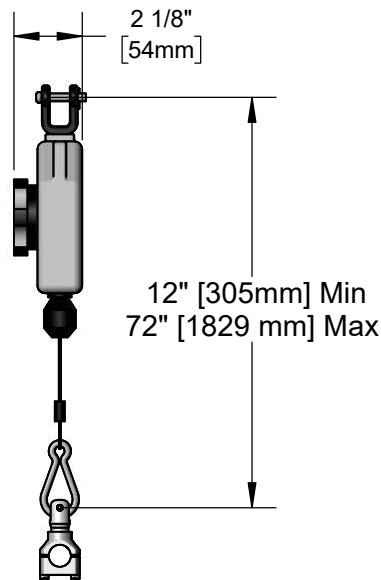
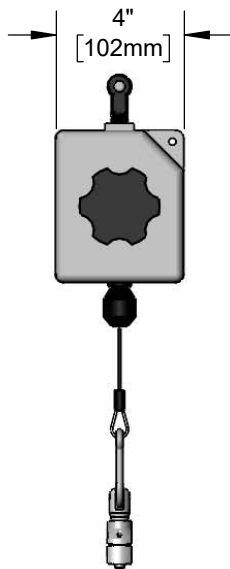
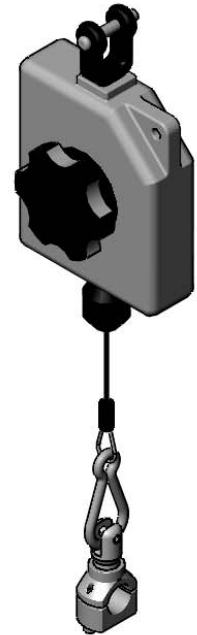




Architect/Engineering Specifications:

Balancer unit with support rod and spring pin.

Job Name \_\_\_\_\_  
 Model Specified \_\_\_\_\_ Quantity \_\_\_\_\_  
 Variations Specified \_\_\_\_\_  
 Date \_\_\_\_\_



Features & Benefits:

- Balancer unit
- Spring pin
- Retractable line
- Support rod
- Material: Plastic housing and nylon cable

Product Compliance:

- N/A

Warranty: One Year (Limited)

Performance Data:

- N/A

