



ADA Compliant

This Space for Architect/Engineer Approval

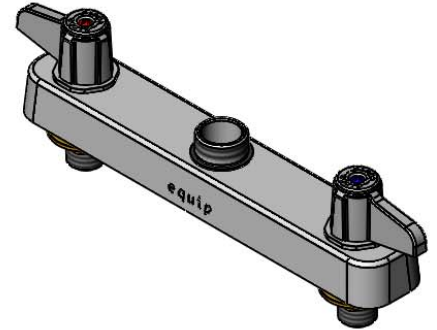
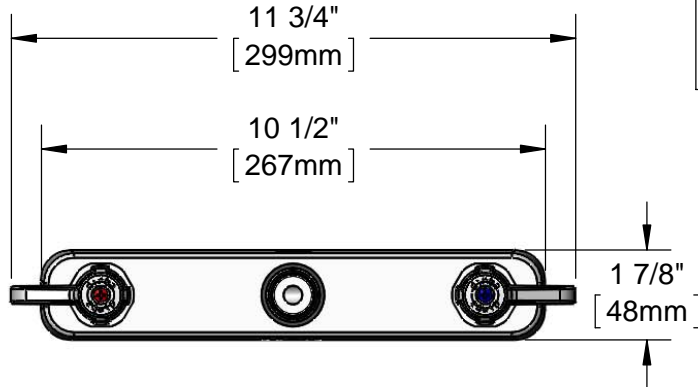
Job Name _____ Date _____

Model Specified _____ Quantity _____

Customer/Wholesaler _____

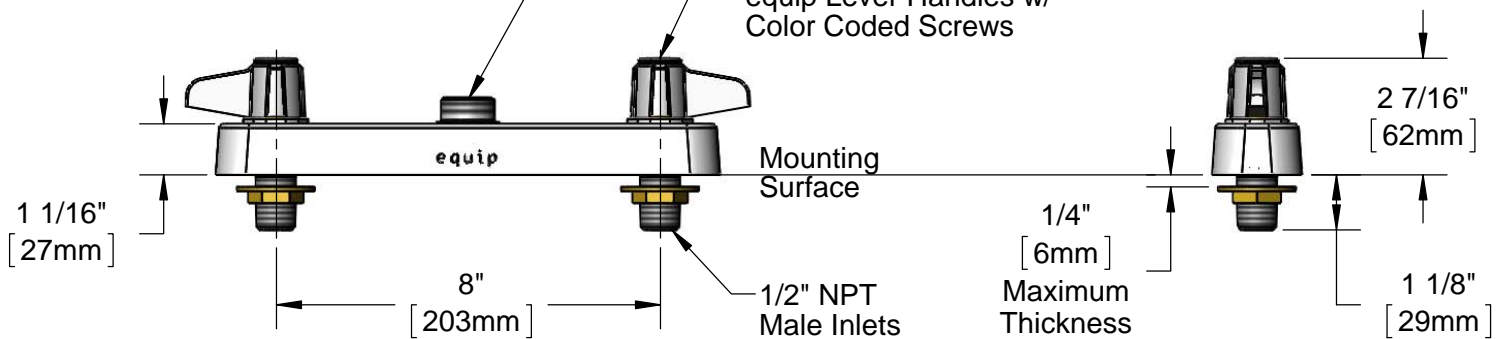
Contractor _____

Architect/Engineer _____



Swivel Outlet Accepts
equip Swivel Nozzles.
Rigid Conversion Requires
014200-45 Lock Washer
(Sold Separately)

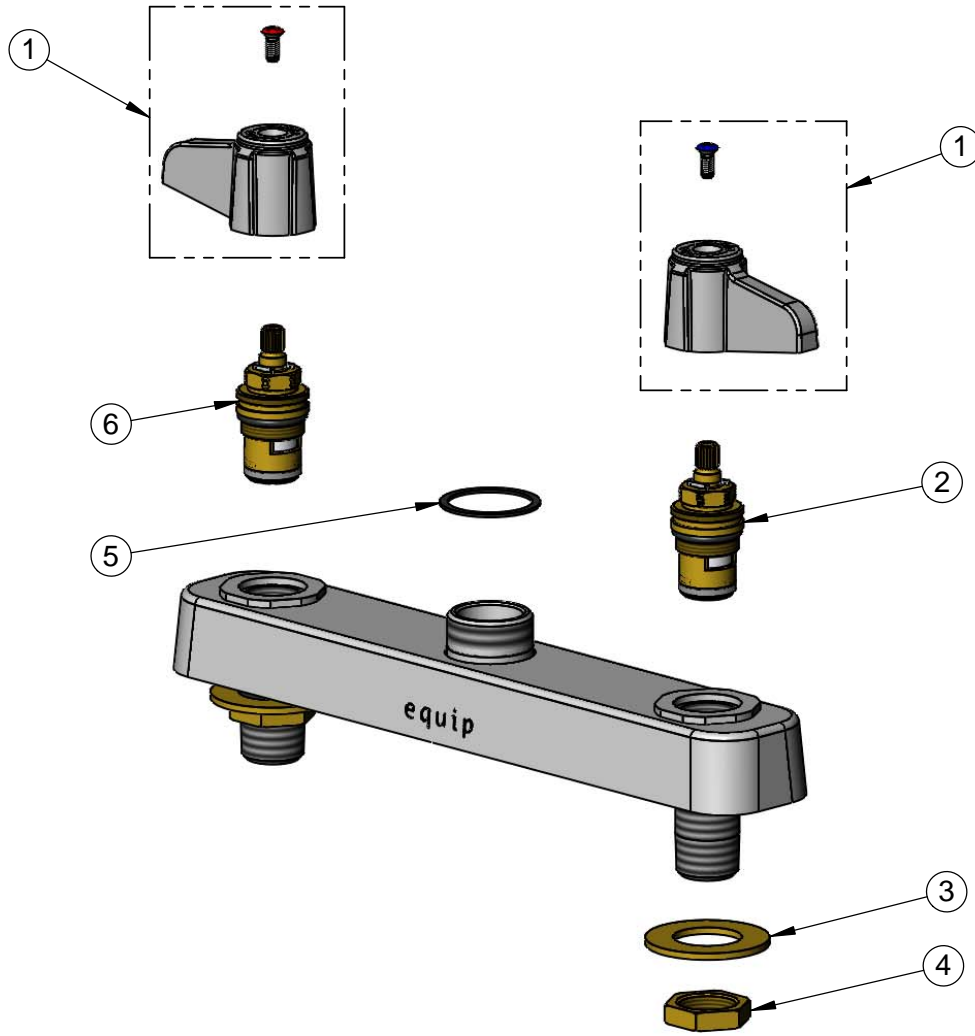
Quarter-Turn
Ceramic Cartridges &
equip Lever Handles w/
Color Coded Screws



Rough-In Requirement:
(2) \varnothing 1" [25mm] Mounting Holes

<p>Model Number</p> <p style="text-align: center;">5F-8CLX00</p>	<p>Product Specifications:</p> <p>8" Deck Mount Workboard Mixing Faucet, Less Nozzle w/ Quarter-Turn Ceramic Cartridges, equip Lever Handles & 1/2" NPT Male Inlets</p>				
<p>Product Compliance:</p> <p>ASME A112.18.1 / CSA B125.1 NSF 61 - Section 9 NSF 372 (Low Lead Content) ANSI A117.1 (ADA)</p>	<div style="display: flex; align-items: center; justify-content: space-between;"> <div data-bbox="600 1906 738 1980"> <p>equip Foodservice Accessories</p> </div> <div data-bbox="743 1858 1096 2032"> </div> <div data-bbox="1101 1894 1563 1995"> <p>2 Saddleback Cove, P.O. Box 1088 Travelers Rest, South Carolina 29690 Phone: 800.891.4808 Fax: 800.868.0084 equip.tsbrass.com</p> </div> </div>				
<p>Drawn: JBC</p>	<p>Checked: JRM</p>	<p>Approved: JHB</p>	<p>Date: 10/24/16</p>	<p>Scale: 1:4</p>	<p>Sheet: 1 of 2</p>

ITEM NO.	SALES NO.	DESCRIPTION
1	5-HDL-L	equip Lever Handle w/ Color Coded Screws
2	013788-45	equip Ceramic Cartridge, LTC
3	000999-45	Brass Lock Washer
4	002954-45	Shank Lock Nut
5	017587-45	Swivel Nut Seal
6	013787-45	equip Ceramic Cartridge, RTC



Model Number

5F-8CLX00

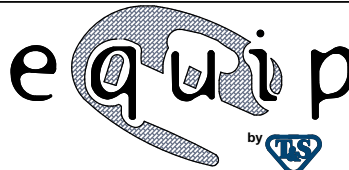
Product Specifications:

8" Deck Mount Workboard Mixing Faucet, Less Nozzle w/ Quarter-Turn Ceramic Cartridges, equip Lever Handles & 1/2" NPT Male Inlets

Product Compliance:

ASME A112.18.1 / CSA B125.1
 NSF 61 - Section 9
 NSF 372 (Low Lead Content)
 ANSI A117.1 (ADA)

equip
 Foodservice
 Accessories



2 Saddleback Cove, P.O. Box 1088
 Travelers Rest, South Carolina 29690
 Phone: 800.891.4808 Fax: 800.868.0084
 equip.tsbrass.com