



T&S BRASS AND BRONZE WORKS, INC.
 2 Saddleback Cove / P.O. Box 1088
 Travelers Rest, SC 29690

Model No.
B-0674-POL

Item No.

Travelers Rest, SC: 800-476-4103 • Simi Valley, CA: 800-423-0150 • Fax: 864-834-3518 • www.tsbrass.com



ADA Compliant

This Space for Architect/Engineer Approval

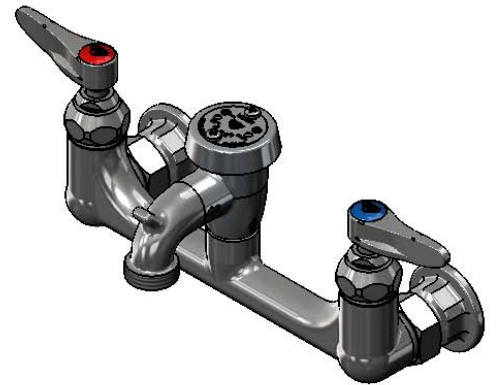
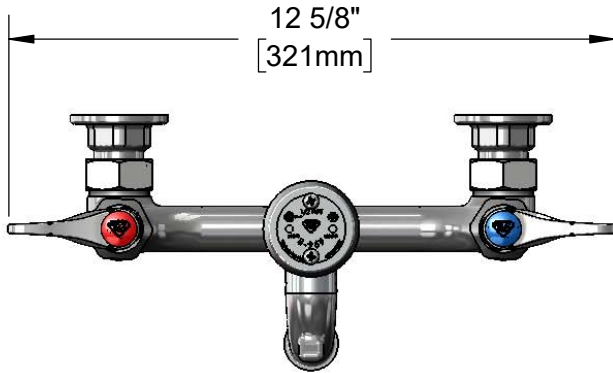
Job Name _____ Date _____

Model Specified _____ Quantity _____

Customer/Wholesaler _____

Contractor _____

Architect/Engineer _____



B-0969
 1/2" NPT
 Atmospheric
 Vacuum
 Breaker

Polished Chrome
 Finish on Faucet
 Body & Spout

Quarter-Turn Eterna
 Cartridges w/ Spring
 Checks & Lever Handles
 w/ Color Coded Indexes

Spout w/ Pail Hook
 & Garden Hose Male
 Outlet

3 11/16"
 [94mm]

3 7/8"
 [98mm]

8"
 [203mm]
 Adjustable From
 7 3/4" to 8 1/4"
 [197mm to 210mm]

1 1/16"
 [27mm]

Ø 2" [51mm]
 Flanges w/
 1/2" NPT
 Female Inlets

2 3/8"
 [60mm]
 4 3/4"
 [121mm]

Product Specifications:

8" Wall Mount Polished Chrome Service Sink Faucet, Quarter-Turn Eterna Cartridges w/ Spring Checks, Lever Handles, Garden Hose Male Outlet, Spout w/ Pail Hook, 1/2" NPT Vacuum Breaker & 1/2" NPT Female Inlets

Product Compliance:

ASME A112.18.1 / CSA B125.1
 NSF 61 - Section 9
 NSF 372 (Low Lead Content)
 ANSI A117.1 (ADA)
 ASSE 1001 (VB)



T&S BRASS AND BRONZE WORKS, INC.

2 Saddleback Cove / P.O. Box 1088
Travelers Rest, SC 29690

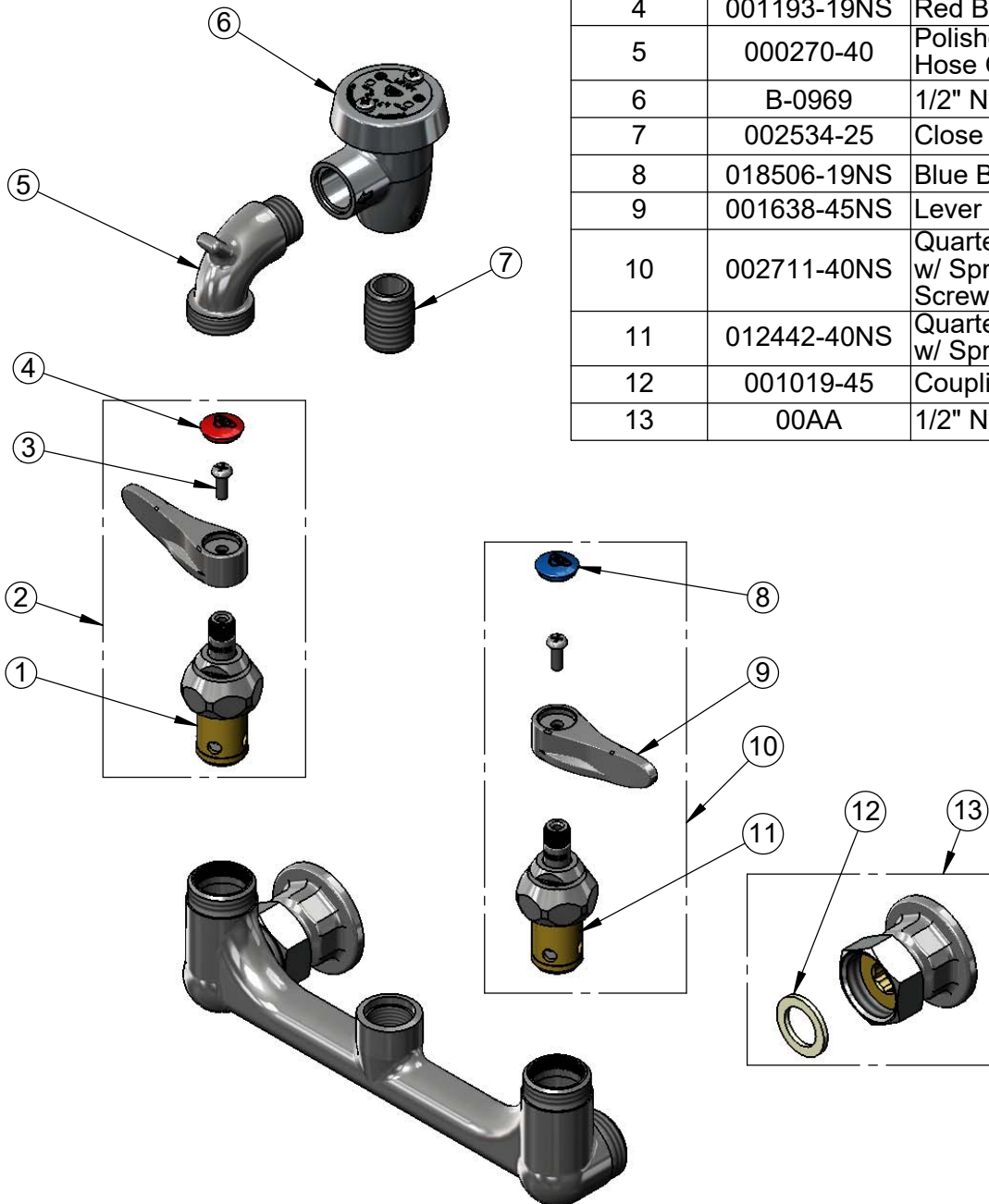
Model No.

B-0674-POL

Item No.

Travelers Rest, SC: 800-476-4103 • Simi Valley, CA: 800-423-0150 • Fax: 864-834-3518 • www.tsbrass.com

ITEM NO.	SALES NO.	DESCRIPTION
1	012443-40NS	Quarter-Turn Eterna Cartridge, RTC w/ Spring Check
2	002712-40NS	Quarter-Turn Eterna Cartridge, RTC w/ Spring Check, Handle, Index & Screw
3	000925-45	Lab Handle Screw
4	001193-19NS	Red Button Index, Press-in
5	000270-40	Polished Chrome Spout w/ Garden Hose Outlet
6	B-0969	1/2" NPT Vacuum Breaker
7	002534-25	Close Nipple, 1/2"
8	018506-19NS	Blue Button Index, Press-in
9	001638-45NS	Lever Handle (New Style)
10	002711-40NS	Quarter-Turn Eterna Cartridge, LTC w/ Spring Check, Handle, Index & Screw
11	012442-40NS	Quarter-Turn Eterna Cartridge, LTC w/ Spring Check
12	001019-45	Coupling Nut Washer
13	00AA	1/2" NPT Coupling Flange



Product Specifications:

8" Wall Mount Polished Chrome Service Sink Faucet, Quarter-Turn Eterna Cartridges w/ Spring Checks, Lever Handles, Garden Hose Male Outlet, Spout w/ Pail Hook, 1/2" NPT Vacuum Breaker & 1/2" NPT Female Inlets

Product Compliance:

ASME A112.18.1 / CSA B125.1
NSF 61 - Section 9
NSF 372 (Low Lead Content)
ANSI A117.1 (ADA)
ASSE 1001 (VB)