

T&S BRASS AND BRONZE WORKS, INC.
 2 Saddleback Cove / P.O. Box 1088
 Travelers Rest, SC 29690

Model No.
 AG-RC
 Item No.

Travelers Rest, SC: 800-476-4103 * Simi Valley, CA: 800-423-0150 * Fax: 864-834-3518 * www.tsbrass.com

This Space for Architect/Engineer Approval

Job Name _____ Date _____

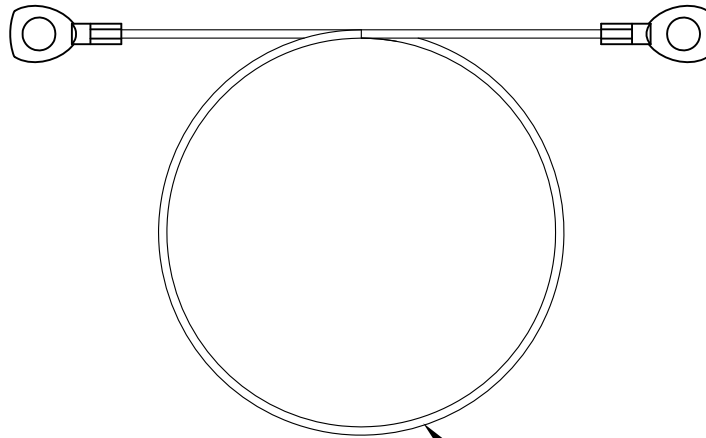
Model Specified _____ Quantity _____

Customer/Wholesaler _____

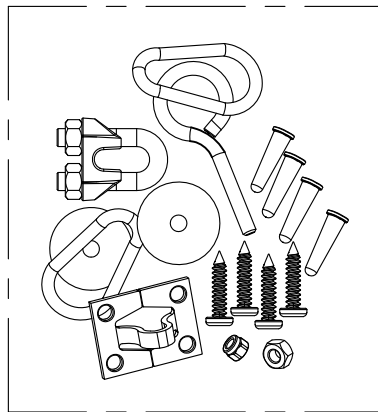
Contractor _____

Architect/Engineer _____

SAFE·T·LINK



Restraining Cable Adjusts Out to Maximum of 5' [1524mm]



Hardware Package Includes

- (1) U-Bolt
- (1) Eye-Bolt
- (4) Wall Anchors w/ Screws
- (2) Flat Washers
- (2) Hex Nuts
- (1) Wall Bracket
- (2) End Clips

Product Specifications:
 5' Adjustable Restraining Cable w/ All Necessary Hardware

Drawn KJG	Checked JRM	Approved JHB
Scale: 1:3		Date: 12-17-14