



Architect/Engineering Specifications:

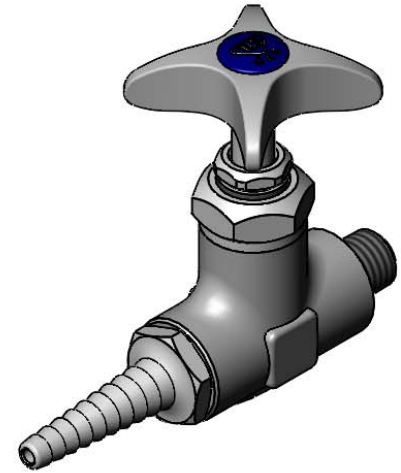
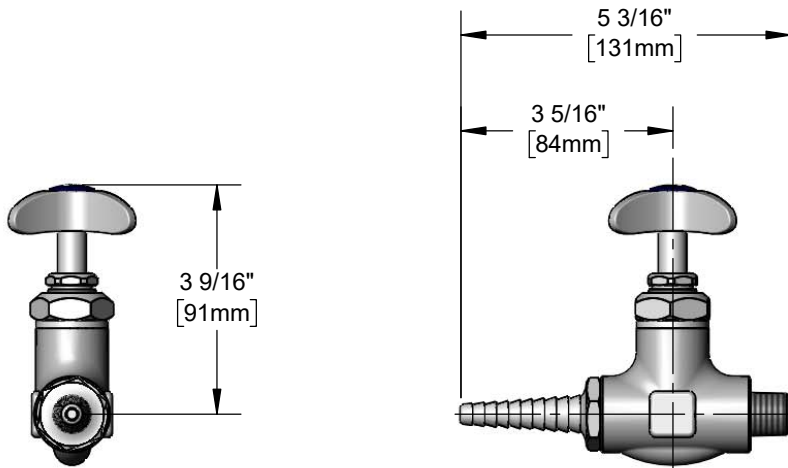
Laboratory straight stop with polished chrome plated brass body, internal stainless steel cone, removable serrated tip outlet (accepts 1/4" to 3/8" I.D hose), 4-arm handle and 3/8" NPT male inlet. Certified to ANSI Z21.15a / CSA 9.1a.

Job Name _____

Model Specified _____ Quantity _____

Variations Specified _____

Date _____



Features & Benefits:

- Laboratory straight stop w/ polished chrome plated brass body
- Internal floating stainless steel cone regulates gas flow as handle is turned
- Removable serrated tip outlet, fits 1/4" to 3/8" I.D. hoses
- 4-arm handle
- Press-in color coded indexes (gas, vacuum & air included)
- 3/8" NPT female inlet
- Material: Polished chrome plated brass body & chrome plated metal handle

Product Compliance:

- ANSI Z21.15a / CSA 9.1a



Warranty: One Year (Limited)

Performance Data:

- Pressure:
 - Gas - 0.5 psi [0.03 bar] max
 - Air - 125 psi [8.62 bar] max
 - Vacuum - 30 inches of Mercury [760 Torr] max
- Temperature: 32°F - 125°F [0°C - 52°C]

