



# T&S BRASS AND BRONZE WORKS, INC.

2 Saddleback Cove / P.O. Box 1088  
Travelers Rest, SC 29690

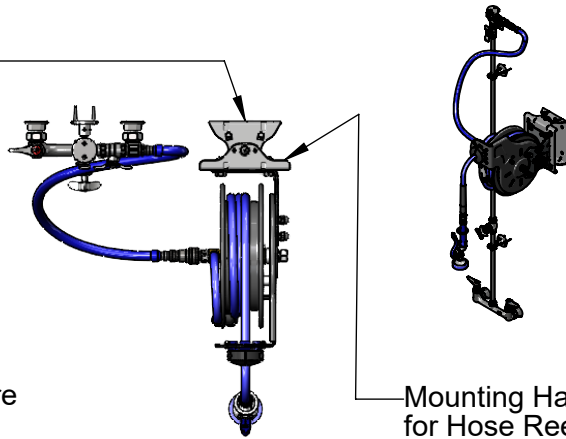
Model No.

**B-7212-U01WS1E**

Item No.

Travelers Rest, SC: 800-476-4103 • Simi Valley, CA: 800-423-0150 • Fax: 864-834-3518 • www.tsbrass.com

EasyInstall  
Stainless Steel  
Wall Mount  
Swing Bracket  
w/ 100° of Rotation



This Space for Architect/Engineer Approval

Job Name \_\_\_\_\_ Date \_\_\_\_\_

Model Specified \_\_\_\_\_ Quantity \_\_\_\_\_

Customer/Wholesaler \_\_\_\_\_

Contractor \_\_\_\_\_

Architect/Engineer \_\_\_\_\_

B-0963  
Continuous Pressure  
Vacuum Breaker w/  
Integral Check Valve

Mounting Hardware Included  
for Hose Reel to Bracket

3/8" NPT x 36"  
Flexible Water  
Connector

Open Coated Hose Reel  
w/ 15' of 3/8" Hose

3/8" NPT x 40"  
Riser

019652-40  
3/8" NPT  
Live Swivel

Stainless Steel  
Quick Disconnect

EB-0107  
High Flow  
Spray Valve  
(Blue)

Control Valve

(2) B-0109-07  
Wall Brackets

EasyInstall  
3/8" NPT x 16"  
Riser

8" Wall Mount Mixing Faucet,  
Quarter-Turn Eterna Cartridges  
w/ Spring Checks & Lever  
Handles w/ Color Coded Indexes

64 7/8"  
[1647mm]

3 11/16"  
[94mm]

12 5/8"  
[321mm]

Ø 1/2"  
[13mm]

17 13/16"  
[452mm]

Ø 2" [51mm]  
Flanges w/  
1/2" NPT  
Female Inlets

Adjustable From  
7 3/4" to 8 1/4"  
[197mm to 210mm]

5 9/16"  
[142mm]

3 9/16"  
[90mm]

2 3/8"  
[61mm]

EasyInstall Wall  
Mount Swing Bracket  
Mounting Holes

**Product Specifications:**

Open Coated Hose Reel w/ 15' of 3/8" Hose, High Flow Spray Valve w/ Swivel, Vacuum Breaker, 3/8" NPT Flexible Water Connector, 8" Wall Mount Mixing Faucet w/ Quarter-Turn Eterna Cartridges & Lever Handles, Control Valve, 100 Degree EasyInstall Stainless Steel Swing Bracket w/ Mounting Hardware for Hose Reel to Bracket

**Product Compliance:**

NSF 61 Exempt (Non-Potable)  
2019 DOE PRSV Non-Compliant  
ASSE 1056 (VB)



# T&S BRASS AND BRONZE WORKS, INC.

2 Saddleback Cove / P.O. Box 1088  
Travelers Rest, SC 29690

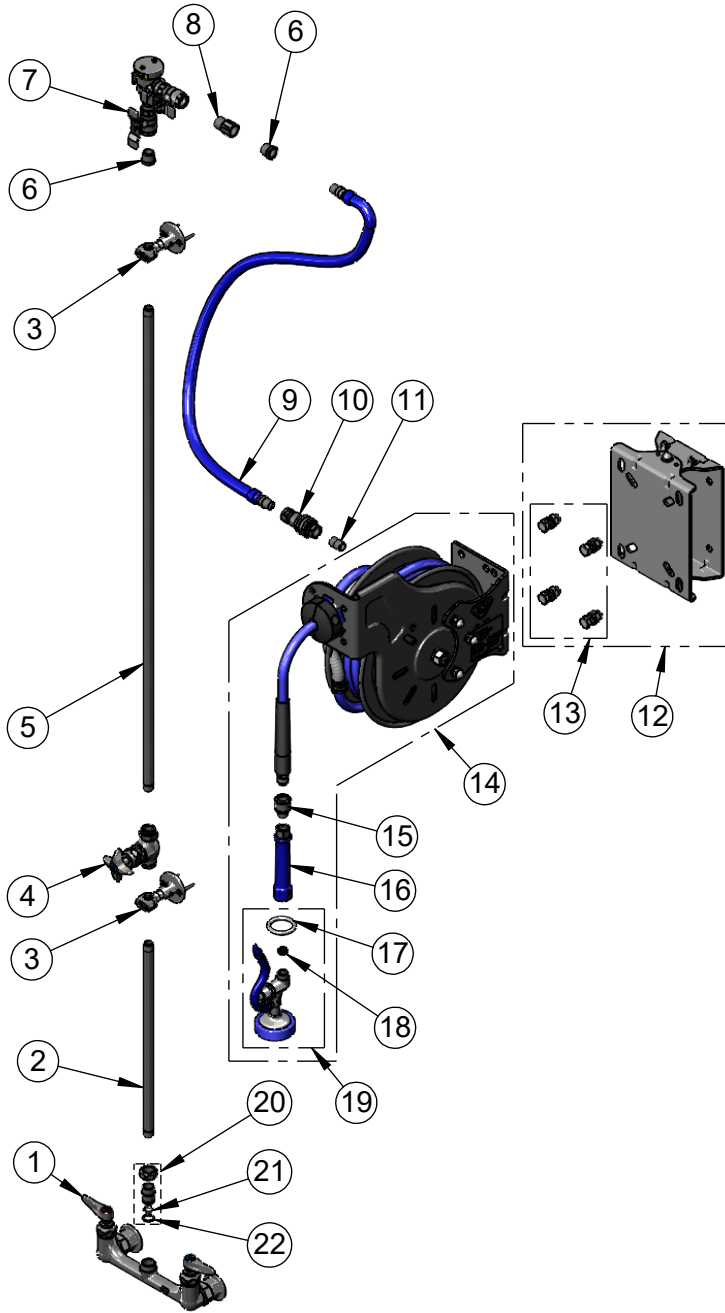
Model No.

**B-7212-U01WS1E**

Item No.

Travelers Rest, SC: 800-476-4103 • Simi Valley, CA: 800-423-0150 • Fax: 864-834-3518 • www.tsbrass.com

ITEM NO.	SALES NO.	DESCRIPTION
1	B-0230-LN	8" Wall Mount Base Faucet
2	000368-40	3/8" NPT x 16" Riser
3	B-0109-07	Wall Bracket
4	0RK3	Control Valve
5	002558-40	3/8" NPT x 40" Riser
6	001359-40	Hex Bushing, 1/2" NPT Male x 3/8" NPT Female
7	B-0963	1/2" NPT Continuous Pressure VB w/ Check Valve
8	015073-40	1/2" NPT Check Valve Adapter
9	HW-2B-36	3/8" NPT x 36" Flexible Water Hose
10	AW-5B	3/8" NPT Quick Disconnect
11	002535-25	3/8" Close Nipple
12	G019430-45	EasyInstall Hose Reel Stainless Steel Swing Bracket
13	019191-45K	Hose Reel Mounting Kit
14	B-7212-01	Open Coated Hose Reel w/ 15' of 3/8" Hose
15	019652-40	3/8" NPT Live Swivel
16	012504-40	Grip Handle (Blue), 3/8" NPT
17	000907-45	Spray Valve Hold Down Ring
18	010476-45	#27 Washer
19	EB-0107	High Flow Spray Valve (Blue)
20	EZ-K	EasyInstall Kit
21	001065-45	O-Ring
22	014200-45	Star Washer, Anti-Rotation



**Product Specifications:**

Open Coated Hose Reel w/ 15' of 3/8" Hose, High Flow Spray Valve w/ Swivel, Vacuum Breaker, 3/8" NPT Flexible Water Connector, 8" Wall Mount Mixing Faucet w/ Quarter-Turn Eterna Cartridges & Lever Handles, Control Valve, 100 Degree EasyInstall Stainless Steel Swing Bracket w/ Mounting Hardware for Hose Reel to Bracket

**Product Compliance:**

NSF 61 Exempt (Non-Potable)  
2019 DOE PRSV Non-Compliant  
ASSE 1056 (VB)