



# T&S BRASS AND BRONZE WORKS, INC.

2 Saddleback Cove / P.O. Box 1088  
Travelers Rest, SC 29690

Model No.

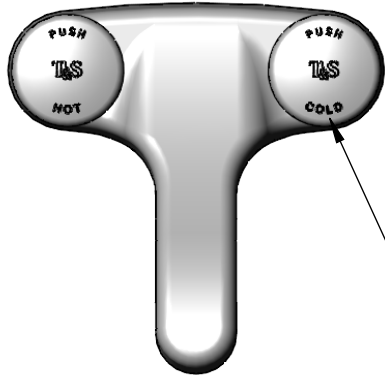
**B-0831-F10**

Item No.

Travelers Rest, SC: 800-476-4103 • Simi Valley, CA: 800-423-0150 • Fax: 864-834-3518 • www.tsbrass.com



**ADA Compliant**



Push Button Metering Cartridges  
w/ Hot & Cold Handles and  
Vandal Resistant Screws

This Space for Architect/Engineer Approval

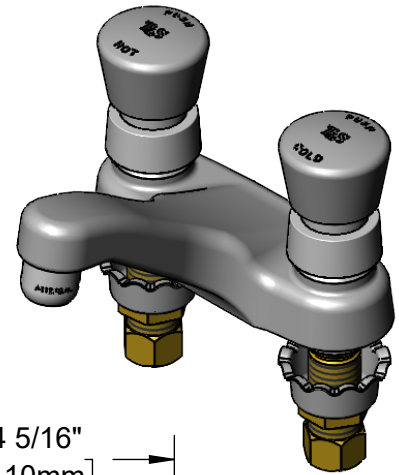
Job Name \_\_\_\_\_ Date \_\_\_\_\_

Model Specified \_\_\_\_\_ Quantity \_\_\_\_\_

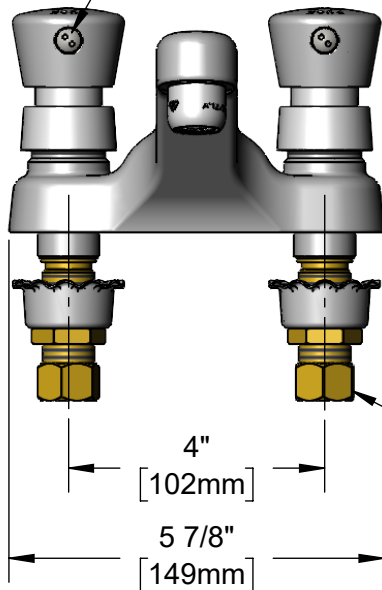
Customer/Wholesaler \_\_\_\_\_

Contractor \_\_\_\_\_

Architect/Engineer \_\_\_\_\_



Vandal Resistant Screw.  
Loosen Screw (Do Not Remove)  
and Pull Off Push Button Assembly  
to Access Metering Adjustment.  
(Metering Adjustment Requires  
3/32" Hex Key)



B-0199-03-F10  
1.0 GPM Aerator

Mounting  
Surface

1 5/8"  
[41mm]

4 5/16"  
[110mm]

3 1/2"  
[89mm]

3/4"  
[19mm]  
Maximum  
Thickness

1/2" NPSM  
Male Inlets w/  
Coupling Nuts

4"  
[102mm]

5 7/8"  
[149mm]

2 1/8"  
[54mm]

Rough-In Requirement :

Ø 1 1/8" [Ø 29mm] Mounting Holes

Product Specifications:

4" Centerset Deck Mount Faucet, Push Button Metering Cartridges, 1.0 GPM Aerator & 1/2" NPSM Male Inlets w/ Coupling Nuts

Product Compliance:

ASME A112.18.1 / CSA B125.1  
NSF 61 - Section 9  
NSF 372 (Low Lead Content)  
ANSI A117.1 (ADA)



# T&S BRASS AND BRONZE WORKS, INC.

2 Saddleback Cove / P.O. Box 1088  
Travelers Rest, SC 29690

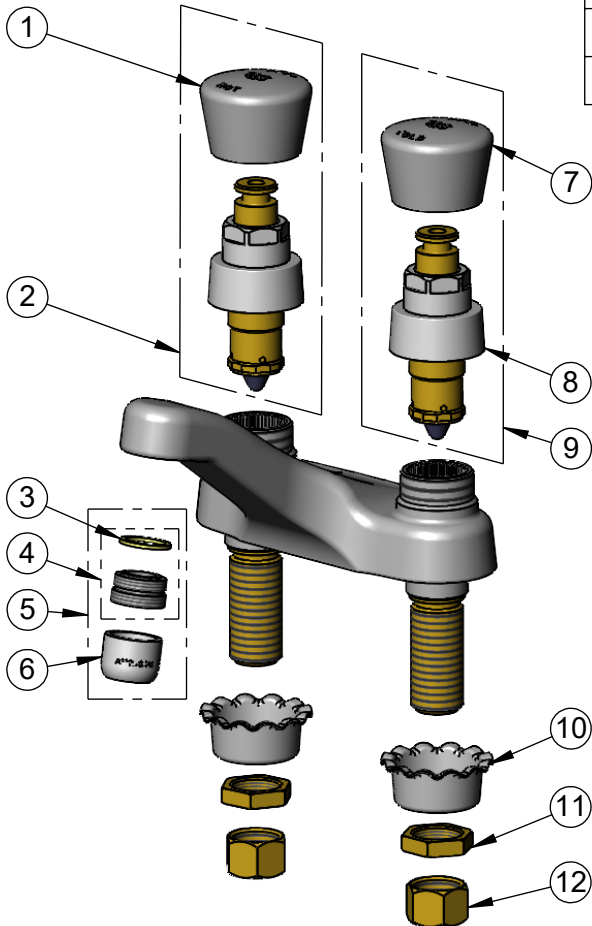
Model No.

**B-0831-F10**

Item No.

Travelers Rest, SC: 800-476-4103 • Simi Valley, CA: 800-423-0150 • Fax: 864-834-3518 • www.tsbrass.com

ITEM NO.	SALES NO.	DESCRIPTION
1	014194-40	Hot Push Button Cap w/ Spanner Bit
2	238AH	Metering Cartridge w/ Hot Push Button Cap & Spanner Bit
3	001048-45	Nozzle Tip Washer
4	001651-47	Aerator Adapter
5	B-0199-03-F10	1.0 GPM Aerator, 13/16-27 UN Male
6	B-0199-01-F10	1.0 GPM Aerator, 55/64-27 UN Female
7	014195-40	Cold Push Button Cap w/ Spanner Bit
8	238A	Push Button Metering Cartridge
9	238AC	Metering Cartridge w/ Cold Push Button Cap & Spanner Bit
10	001000-45	Rosette Washer
11	002954-45	Shank Lock Nut
12	000958-20	Coupling Nut



014734-45  
Spanner Bit

**Product Specifications:**

4" Centerset Deck Mount Faucet, Push Button Metering Cartridges, 1.0 GPM Aerator & 1/2" NPSM Male Inlets w/ Coupling Nuts

**Product Compliance:**

ASME A112.18.1 / CSA B125.1  
NSF 61 - Section 9  
NSF 372 (Low Lead Content)  
ANSI A117.1 (ADA)