



# All-In-One Hose Reel System

## 010445-45

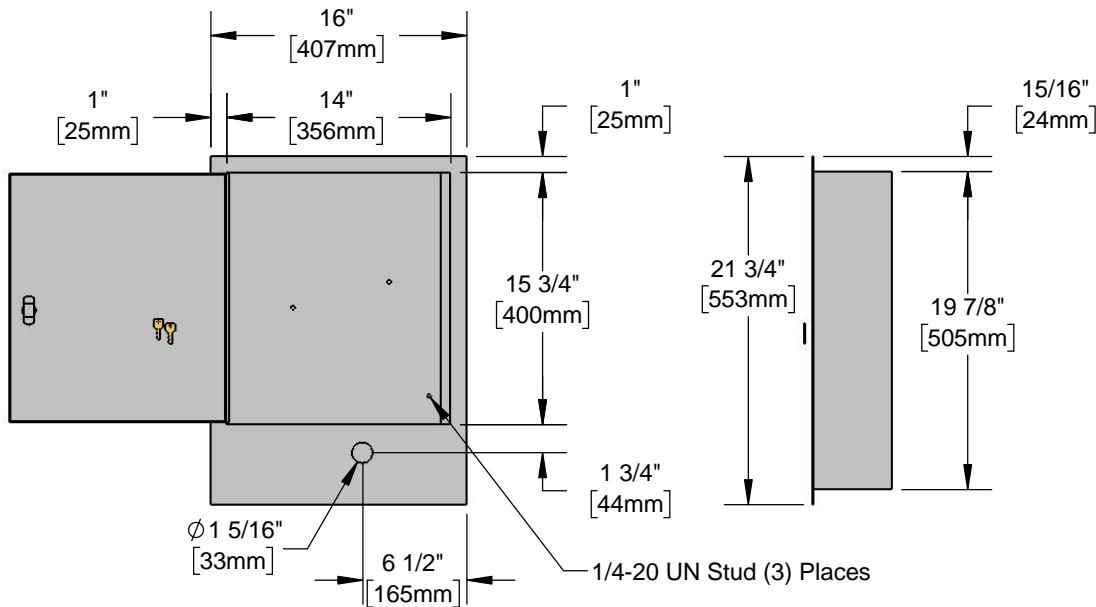
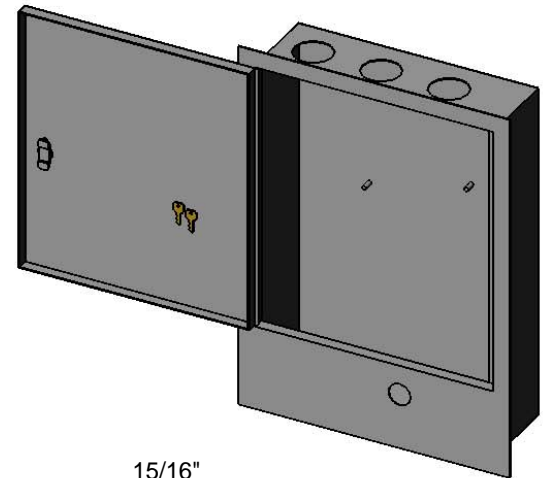
TAG:

### Control Box

#### Architect/Engineering Specifications:

Stainless steel control box with lock and key.

Job Name \_\_\_\_\_  
 Model Specified \_\_\_\_\_ Quantity \_\_\_\_\_  
 Variations Specified \_\_\_\_\_  
 Date \_\_\_\_\_



#### Features & Benefits:

- Control box
- Lock & key
- Material: Stainless Steel

#### Product Compliance:

- N/A

**Warranty:** One Year (Limited)

#### Performance Data:

- N/A



T&S BRASS AND BRONZE WORKS, INC.



• 2 Saddleback Cove • Travelers Rest, SC 29690  
 Ph 800-476-4103 • Fax 864-834-3518  
 • Simi Valley, CA • Ph 800-423-0150 • www.tsbrass.com

Date: 06/23/17